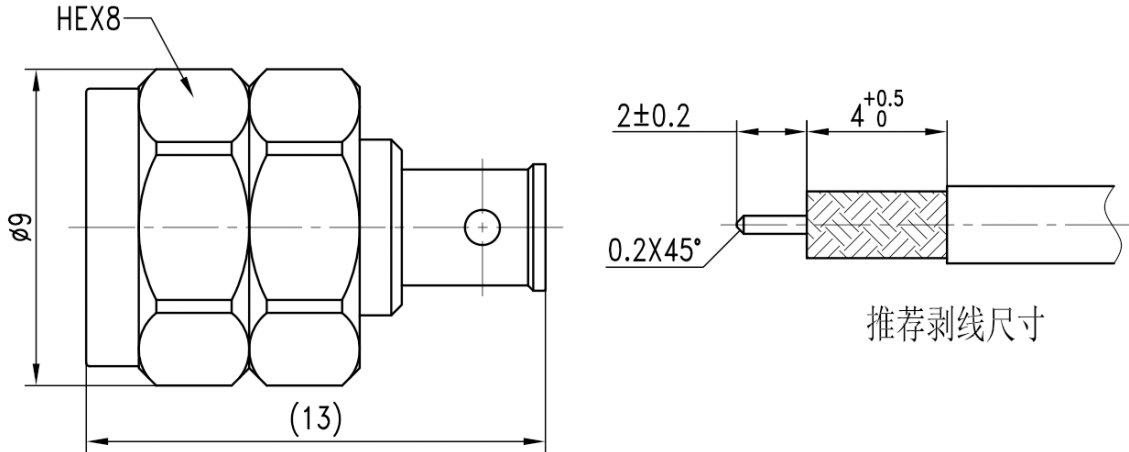


## 2.4mm Male Cable Connector, RC50UM-B086E DC-50GHz, Straight, Attachment for 086 Cable

### Dimensions(mm) Tolerance $\pm 1\%$



### Electrical & Environmental

<b>Frequency Range</b>	DC-50GHz	<b>Impedance</b>	50 ohm
<b>VSWR</b>	-	<b>Withstand Voltage</b>	500 V
<b>Mating Cycles</b>	> 500 Cycles	<b>Temperature Range</b>	-55°C ~ +165°C

### Mechanical & Product Information

<b>Product Number</b>	RC50UM-B086E, P-Grade	<b>Connector</b>	2.4mm Male
<b>Shape/Mounting</b>	Straight	<b>Attachment Method</b>	Solder
<b>Attachment for</b>	086 Series Cable		
<b>Connector Body</b>	Passivated stainless steel 316F	<b>Insulator</b>	PEI
<b>Center Contact</b>	Gold plated beryllium copper		
<b>Dimension</b>	13(L)mm	<b>Net Weight</b>	-