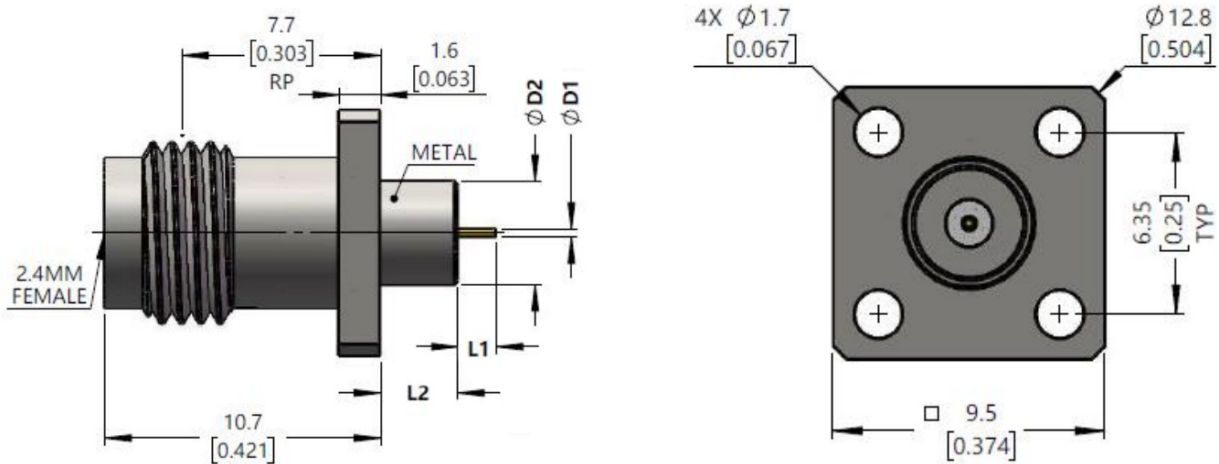


2.4mm Female Bulkhead Flange Connector, RC50UF-MF4D02-XX DC-50GHz, Straight, 4 hole flange, 6.35mm Hole Spacing

Dimensions(mm) Tolerance±1%



Product Selection

D1(mm)	L1(mm)	D2(mm)	L2(mm)	RFTOP P/N
0.30	1.50	4.00	1.40	RC50UF-MF4D02-0301
0.30	1.50	4.00	3.00	RC50UF-MF4D02-0302
0.23	0.60	4.00	3.00	RC50UF-MF4D02-02301

Electrical & Environmental

Frequency Range	DC-50GHz	Impedance	50 ohm
VSWR	1.2 max	Withstand Voltage	750 V
Insulation Resistance	≥ 5000 MΩ	Contact Resistance	≤ In:3.0/Out:2.0 mΩ
Mating Cycles	> 500 Cycles	Temperature Range	-55°C~+165°C

Mechanical & Product Information

Product Number	RC50UF-MF4D02-XX	Connector	2.4mm Female
Shape/Mounting	Straight , 4 hole flange	Attachment Method	Solder
Connector Body	Passivated stainless steel	Insulator	PEI or PEI&PTFE
Center Contact	Gold plated beryllium copper		