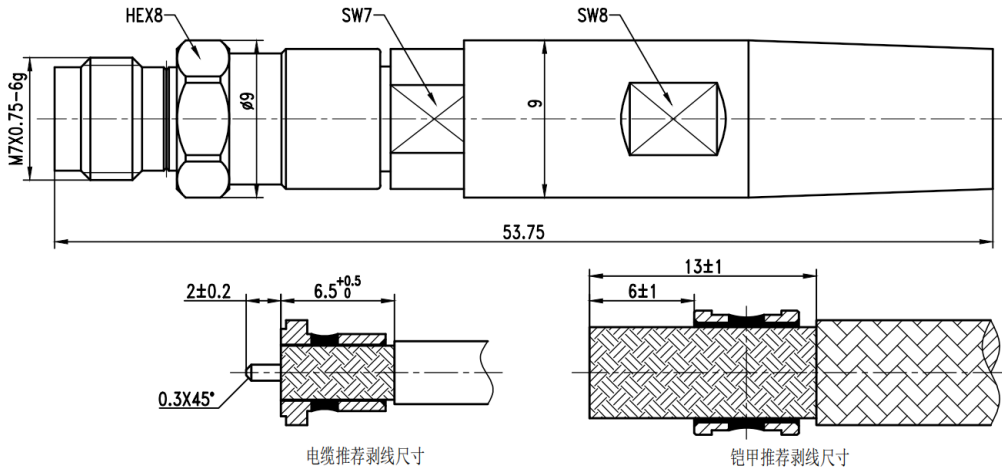


2.4mm Female Cable Connector, RC50UF-BA360KJ

DC-50GHz, Straight, Attachment for CNA360, 配接铠甲: KJB40-PTFE Cable

Dimensions(mm) Tolerance $\pm 1\%$



Electrical & Environmental

Frequency Range	DC-50GHz	Impedance	50 ohm
VSWR	-	Withstand Voltage	750 V
Mating Cycles	> 500 Cycles	Temperature Range	-55°C ~ +165°C

Mechanical & Product Information

Product Number	RC50UF-BA360KJ, P-Grade	Connector	2.4mm Female
Shape/Mounting	Straight	Attachment Method	Solder
Attachment for	CNA360, 配接铠甲: KJB40-PTFE Series Cable		
Connector Body	Passivated stainless steel 316F	Insulator	PEI
Center Contact	Gold plated beryllium copper		
Dimension	53.75(L)mm	Net Weight	-