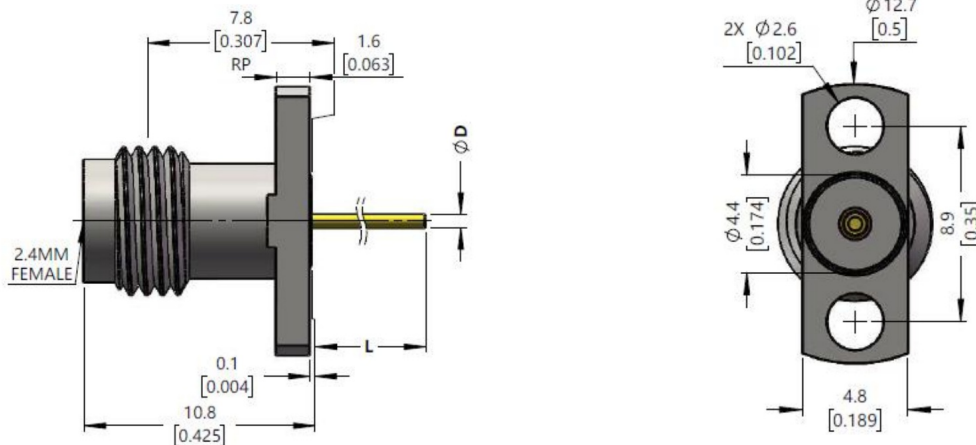


2.4mm Female Airline Bulkhead Connector, RC50UF-AF2D06-XX DC-50GHz, Straight, 2 hole flange, 8.9mm Hole Spacing

Dimensions(mm) Tolerance $\pm 1\%$



Product Selection

D(mm)	L(mm)	RFTOP P/N
0.30	7.00	RC50UF-AF2D06-0301
0.64	6.83	RC50UF-AF2D06-06401
0.64	10.00	RC50UF-AF2D06-06402
0.75	9.00	RC50UF-AF2D06-07501
0.86	8.75	RC50UF-AF2D06-08601
1.00	5.50	RC50UF-AF2D06-101
1.04	6.34	RC50UF-AF2D06-10401
1.04	8.00	RC50UF-AF2D06-10402
1.20	3.00	RC50UF-AF2D06-1201

Electrical & Environmental

Frequency Range	DC-50GHz	Impedance	50 ohm
VSWR	1.2 max	Withstand Voltage	750 V
Insulation Resistance	$\geq 5000 \text{ M}\Omega$	Contact Resistance	$\leq \text{In}:3.0/\text{Out}:2.0 \text{ m}\Omega$
Mating Cycles	> 500 Cycles	Temperature Range	-55°C~+165°C

Mechanical & Product Information

Product Number	RC50UF-AF2D06-XX	Connector	2.4mm Female
Shape/Mounting	Straight , 2 hole flange	Attachment Method	Solder
Connector Body	Passivated stainless steel	Insulator	PEI or PEI&PTFE
Center Contact	Gold plated beryllium copper		