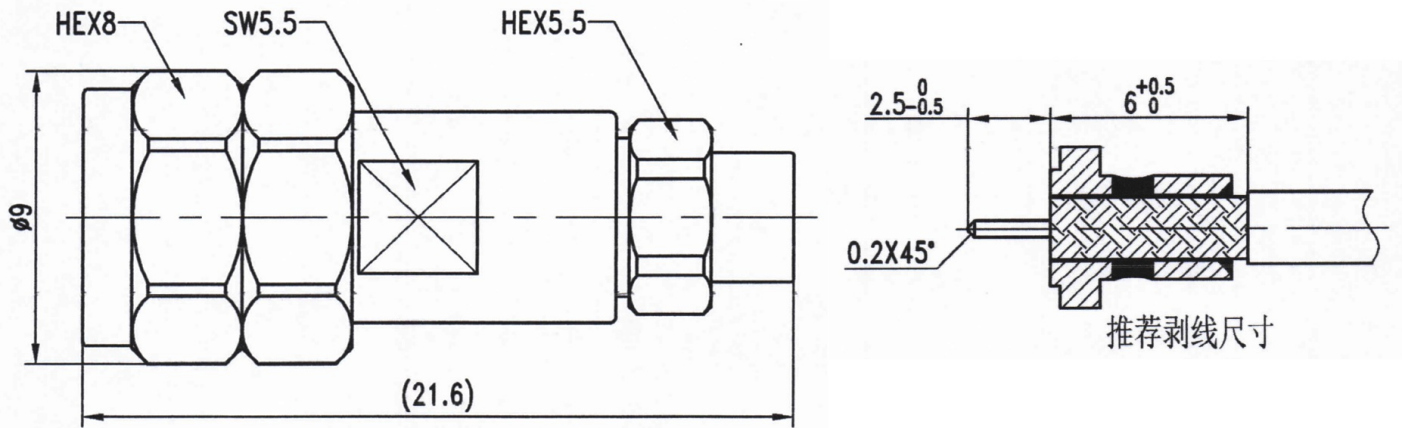




2.4mm Male Cable Connector, RC50M-B220 DC-50GHz, Straight, Attachment for 3506Series Cable

Dimensions(mm) Tolerance $\pm 1\%$



Electrical & Environmental

Frequency Range	DC-50GHz
Impedance	50 ohm
VSWR	1.3 max
Insulation Resistance	$\geq 5000 \text{ M}\Omega$
Withstand Voltage	500 V
Mating Cycles	> 500 Cycles
Temperature Range	-55°C ~ +165°C

Mechanical & Product Information

Product Number	RC50M-B220, H-Grade
Product Type	2.4mm Male, Cable Connector
Shape/Mounting	Straight
Attachment Method	Solder
Attachment for	3506 Series Cable
Connector Body	Passivated stainless steel 316F
Center Contact	Gold plated beryllium copper
Insulator	PEI
Dimension	21.6(L) \times 9(ϕ)mm
Net Weight	About 4.2g