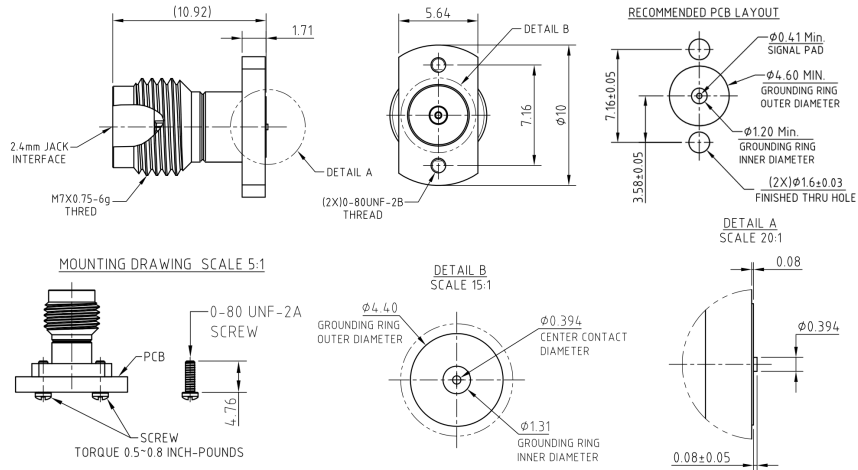




## 2.4mm Female PCB Connector, RC50F-VL04 DC-50GHz, Straight, 2 hole flange, 7.16mm Hole Spacing, 0.4mm Pin

### Dimensions(mm) Tolerance±1%



### Electrical & Environmental

Frequency Range	DC-50GHz
Impedance	50 ohm
VSWR	1.4 max
Withstand Voltage	500 V
Temperature Range	-40°C ~ +155°C

### Mechanical & Product Information

Product Number	RC50F-VL04
Product Type	2.4mm Female, PCB Connector
Shape/Mounting	Straight, 2 hole flange
Attachment Method	Clamp
Connector Body	Passivated stainless steel
Center Contact	Gold plated beryllium copper
Insulator	PTFE
Dimension	10.92(L)mm
Net Weight	About 1.9g