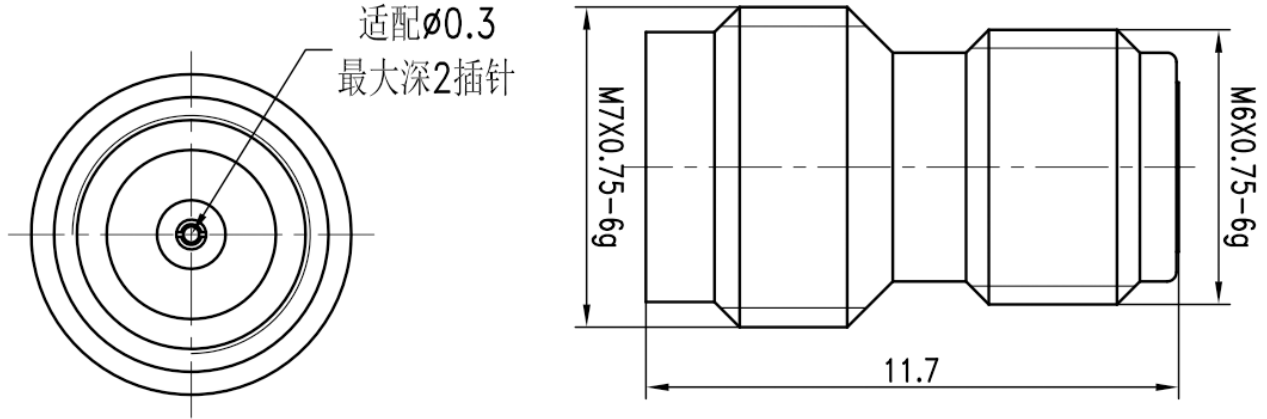


2.4mm Female Field Replaceable Connector, RC50F-UFD03-4 DC-50GHz, Straight, 0.3mm Pin

Dimensions(mm) Tolerance $\pm 1\%$



Electrical & Environmental

| | |
|-----------------------|------------------------------------|
| Frequency Range | DC-50GHz |
| Impedance | 50 ohm |
| Contact Resistance | \leq In:3.0/Out:2.0 m Ω |
| Insulation Resistance | \geq 5000 M Ω |
| Withstand Voltage | 500 V |
| Mating Cycles | > 500 Cycles |
| Temperature Range | -55 $^{\circ}$ C~+165 $^{\circ}$ C |

Mechanical & Product Information

| | |
|-------------------|---|
| Product Number | RC50F-UFD03-4, H-Grade |
| Product Type | 2.4mm Female, Field Replaceable Connector |
| Shape/Mounting | Straight |
| Attachment Method | Field Replaceable |
| Connector Body | Passivated stainless steel 316F |
| Center Contact | Gold plated beryllium copper |
| Insulator | PEI |
| Dimension | 11.7(L)mm |