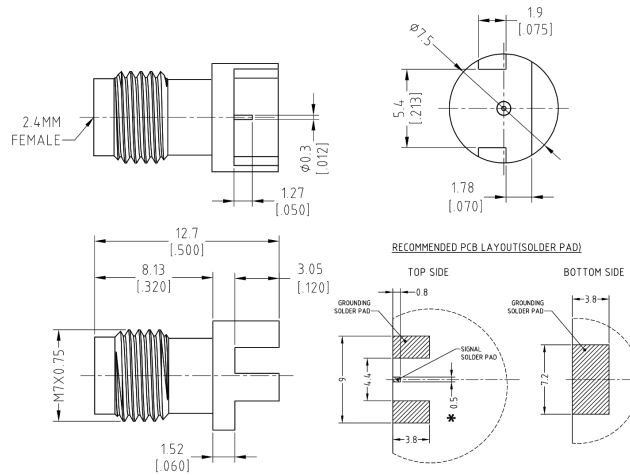




## 2.4mm Female PCB Connector, RC50F-SEL03-GBA DC-50GHz, Straight, 0.3mm Pin

### Dimensions(mm) Tolerance $\pm 1\%$



### Electrical & Environmental

Frequency Range	DC-50GHz
Impedance	50 ohm
VSWR	1.35 max
Insulation Resistance	$\geq 5000 \text{ M}\Omega$
Withstand Voltage	500 V
Temperature Range	-40°C ~ +155°C

### Mechanical & Product Information

Product Number	RC50F-SEL03-GBA
Product Type	2.4mm Female, PCB Connector
Shape/Mounting	Straight
Attachment Method	Solder
Connector Body	Gold plated brass
Center Contact	Gold plated beryllium copper
Insulator	PTFE&ULTEM
Dimension	12.7(L)mm
Net Weight	About 1.8g