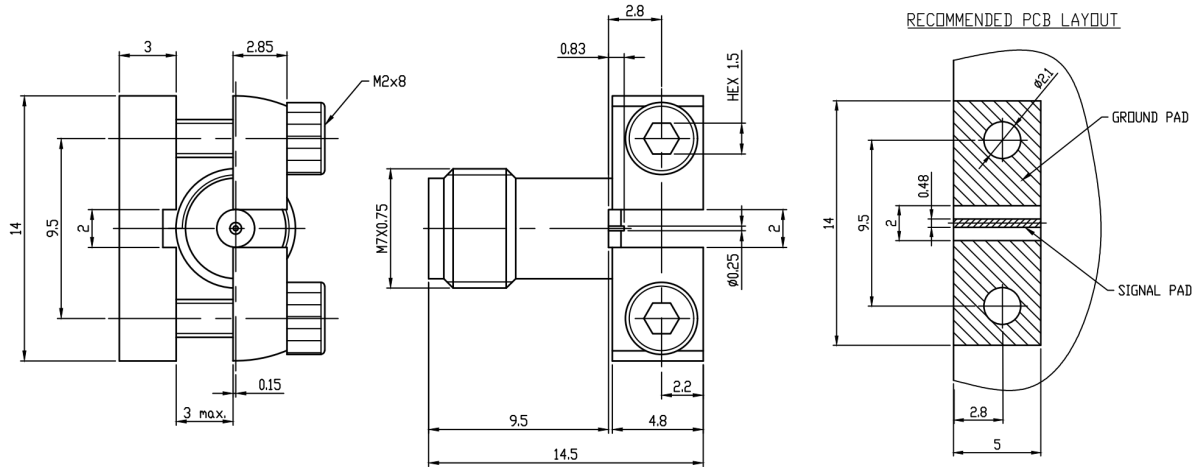




## 2.4mm Female PCB Connector, RC50F-EL025-GBA DC-50GHz, Straight, 2 hole flange, 9.5mm Hole Spacing, 0.25mm Pin

### Dimensions(mm) Tolerance $\pm 1\%$



### Electrical & Environmental

Frequency Range	DC-50GHz
Impedance	50 ohm
VSWR	1.4 max
Withstand Voltage	650 V
Temperature Range	-55°C ~ +155°C

### Mechanical & Product Information

Product Number	RC50F-EL025-GBA
Product Type	2.4mm Female, PCB Connector
Shape/Mounting	Straight, 2 hole flange
Attachment Method	Clamp
Connector Body	Gold plated brass
Center Contact	Gold plated beryllium copper
Insulator	PTFE/ULTEM
Dimension	14.5(L)*14(W)mm
Net Weight	About 4.4g