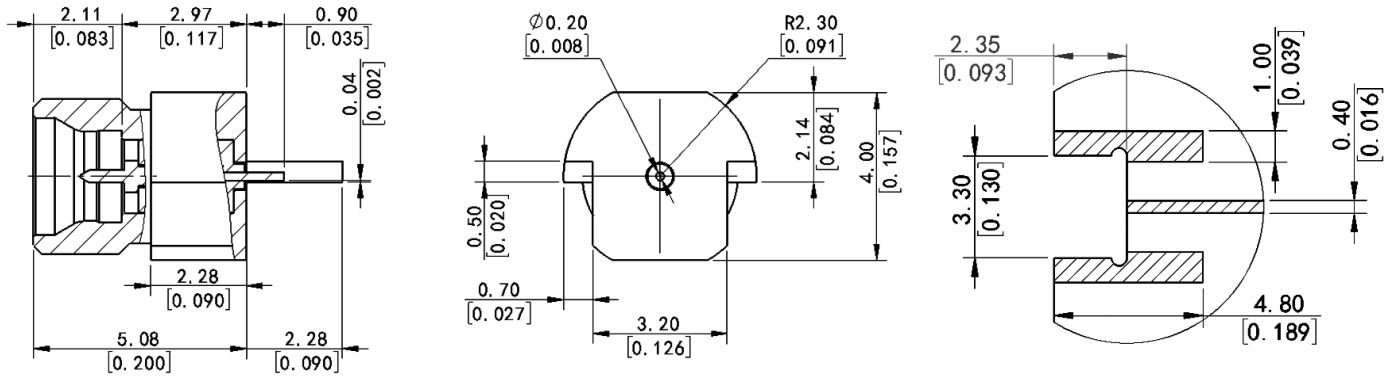


**SSMP(GPPO, SPM) Male PCB Connector, RC40SPM-SSM02-GBA**  
**DC-40GHz, Straight, 0.2mm Pin**

**Dimensions(mm) Tolerance±1%**



**Electrical & Environmental**

<b>Frequency Range</b>	DC-40GHz
<b>Impedance</b>	50 ohm
<b>VSWR</b>	1.35 max
<b>Withstand Voltage</b>	500 V
<b>Temperature Range</b>	-40°C~+125°C

**Mechanical & Product Information**

<b>Product Number</b>	RC40SPM-SSM02-GBA
<b>Product Type</b>	SSMP Male, PCB Connector
<b>Shape/Mounting</b>	Straight
<b>Attachment Method</b>	Solder
<b>Connector Body</b>	Gold plated brass
<b>Center Contact</b>	Gold plated beryllium copper
<b>Insulator</b>	PTFE
<b>Dimension</b>	7.3(L)mm
<b>Net Weight</b>	About .4g