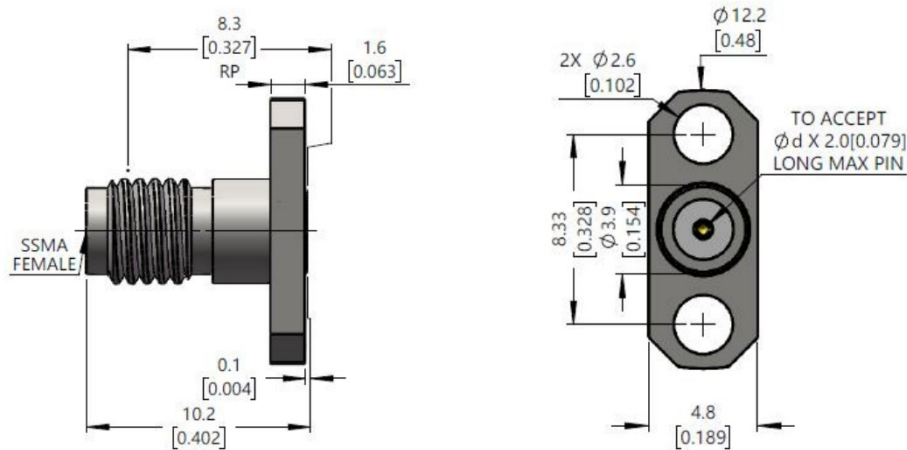


## SSMA Female Field Replaceable Connector, RC40SAF-UF2D08-XX DC-40GHz, Straight, 2 hole flange, 8.33mm Hole Spacing

### Dimensions(mm) Tolerance $\pm 1\%$



### Product Selection

D(mm)	RFTOP P/N
0.23	RC40SAF-UF2D08-023
0.30	RC40SAF-UF2D08-030
0.38	RC40SAF-UF2D08-038
0.46	RC40SAF-UF2D08-046
0.51	RC40SAF-UF2D08-051

### Electrical & Environmental

<b>Frequency Range</b>	DC-40GHz	<b>Impedance</b>	50 ohm
<b>VSWR</b>	1.2 max	<b>Withstand Voltage</b>	500 V
<b>Insulation Resistance</b>	$\geq 1000 M\Omega$	<b>Contact Resistance</b>	$\leq$ In:5.0/Out:2.5 m $\Omega$
<b>Mating Cycles</b>	> 500 Cycles	<b>Temperature Range</b>	-55°C~+165°C

### Mechanical & Product Information

<b>Product Number</b>	RC40SAF-UF2D08-XX	<b>Connector</b>	SSMA Female
<b>Shape/Mounting</b>	Straight , 2 hole flange	<b>Attachment Method</b>	Field Replaceable
<b>Connector Body</b>	Passivated stainless steel	<b>Insulator</b>	PTFE&PEI
<b>Center Contact</b>	Gold plated beryllium copper		
<b>Dimension</b>	10.2(L)mm	<b>Net Weight</b>	-