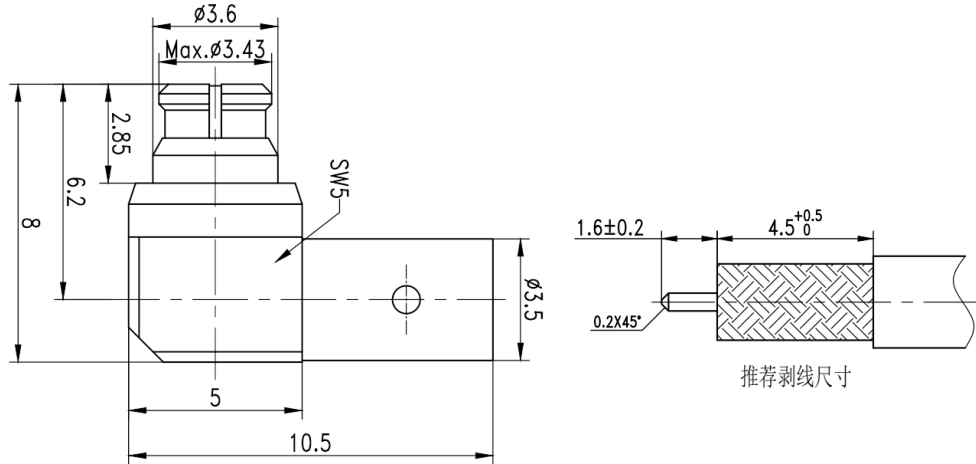


SMP Female Cable Connector, RC40PFWB-BA220E DC-40GHz, Right Angle, Attachment for RCA220、CXN3506 Cable

Dimensions(mm) Tolerance±1%



Electrical & Environmental

Frequency Range	DC-40GHz	Impedance	50 ohm
VSWR	1.5 Max	Withstand Voltage	500 V
Mating Cycles	> 500 Cycles	Temperature Range	-55°C~+165°C

Mechanical & Product Information

Product Number	RC40PFWB-BA220E, P-Grade, Direct welding	Connector	SMP(GPO) Female
Shape/Mounting	Right Angle	Attachment Method	Solder
Attachment for	RCA220、CXN3506 Series Cable		
Connector Body	Gold plated beryllium copper/Gold plated brass	Insulator	PTFE
Center Contact	Gold plated beryllium copper		
Dimension	8(L)×10.5(W)mm	Net Weight	-