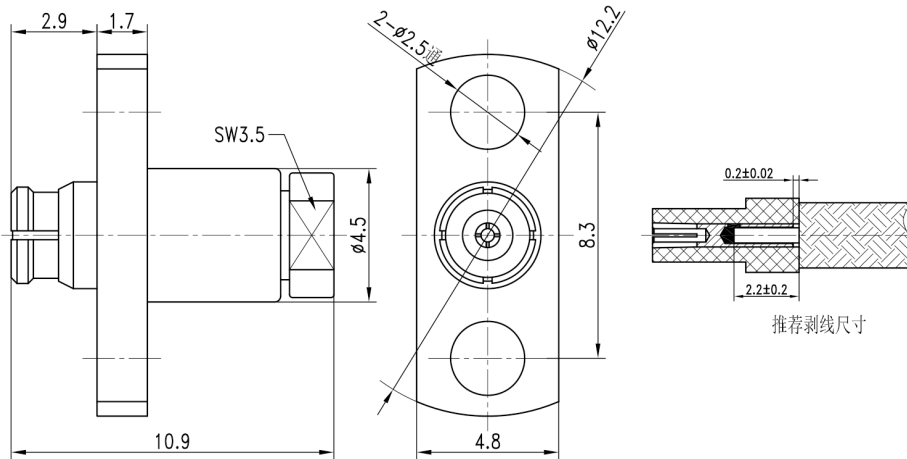


## SMP Female Cable Connector, RC40PFB-B2F086

### DC-40GHz, Straight, 2 hole flange, Attachment for 086、RG405 Cable

#### Dimensions(mm) Tolerance±1%



#### Electrical & Environmental

Frequency Range	DC-40GHz	Impedance	50 ohm
VSWR	-	Withstand Voltage	500 V
Mating Cycles	> 500 Cycles	Temperature Range	-55°C ~ +165°C

#### Mechanical & Product Information

Product Number	RC40PFB-B2F086, P-Grade	Connector	SMP(GPO) Female
Shape/Mounting	Straight , 2 hole flange	Attachment Method	Solder
Attachment for	086、RG405 Series Cable		
Connector Body	Gold plated brass	Insulator	PTFE
Center Contact	Gold plated beryllium copper		
Dimension	10.9(L)mm	Net Weight	-