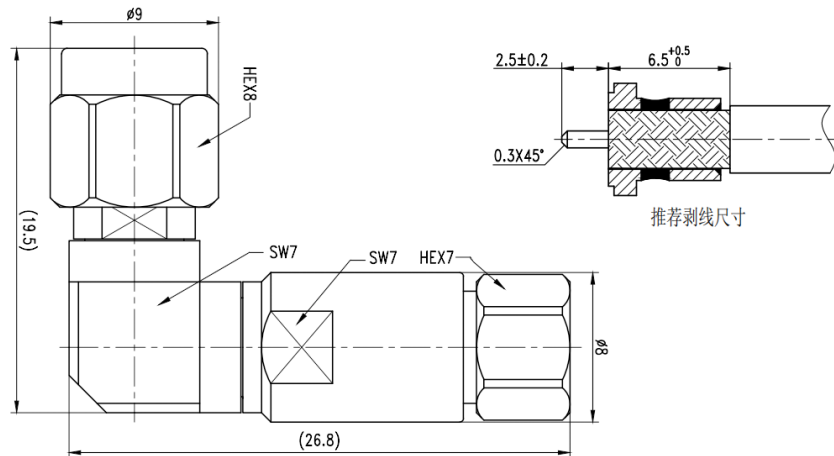




## 2.92mm Male Cable Connector, RC40MW-B360 DC-40GHz, Right Angle, Attachment for 3507Series Cable

### Dimensions(mm) Tolerance±1%



### Electrical & Environmental

Frequency Range	DC-40GHz
Impedance	50 ohm
VSWR	1.35 max
Insulation Resistance	≥ 5000 MΩ
Withstand Voltage	750 V
Mating Cycles	> 500 Cycles
Temperature Range	-55°C ~ +165°C

### Mechanical & Product Information

Product Number	RC40MW-B360, H-Grade
Product Type	2.92mm Male, Cable Connector
Shape/Mounting	Right Angle
Attachment Method	Solder
Attachment for	3507 Series Cable
Connector Body	Passivated stainless steel 316F
Center Contact	Gold plated beryllium copper
Insulator	PEI/PTFE
Dimension	26.8(L)×19.5(W)×9(φ)mm
Net Weight	About 10.5g