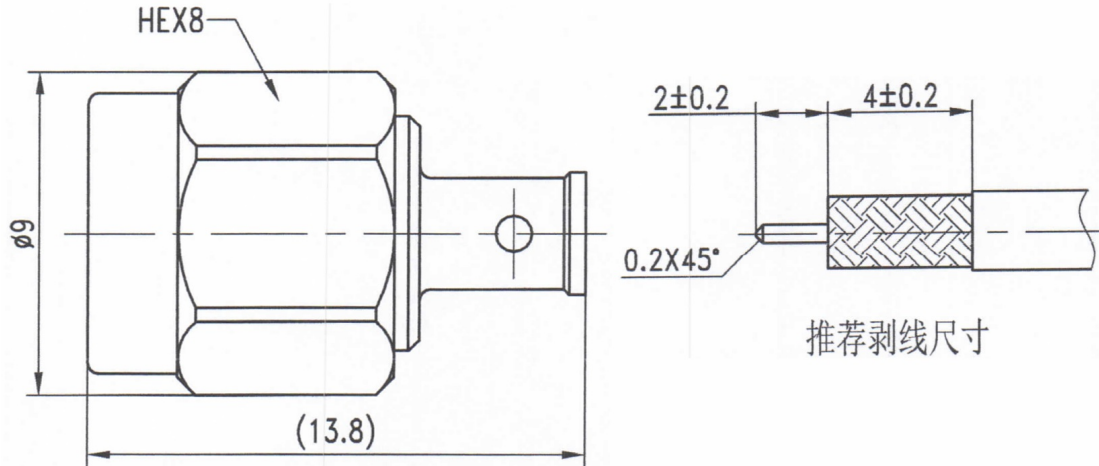


2.92mm Male Cable Connector, RC40M-B220 DC-40GHz, Straight, Attachment for 3506Series Cable

Dimensions(mm) Tolerance $\pm 1\%$



Electrical & Environmental

Frequency Range	DC-40GHz
Impedance	50 ohm
VSWR	1.2 max
Insulation Resistance	$\geq 5000 \text{ M}\Omega$
Withstand Voltage	500 V
Mating Cycles	> 500 Cycles
Temperature Range	-55°C ~ +165°C

Mechanical & Product Information

Product Number	RC40M-B220, H-Grade
Product Type	2.92mm Male, Cable Connector
Shape/Mounting	Straight
Attachment Method	Solder
Attachment for	3506 Series Cable
Connector Body	Passivated stainless steel 316F
Center Contact	Gold plated beryllium copper
Insulator	PEI
Dimension	13.8(L) \times 9(ϕ)mm