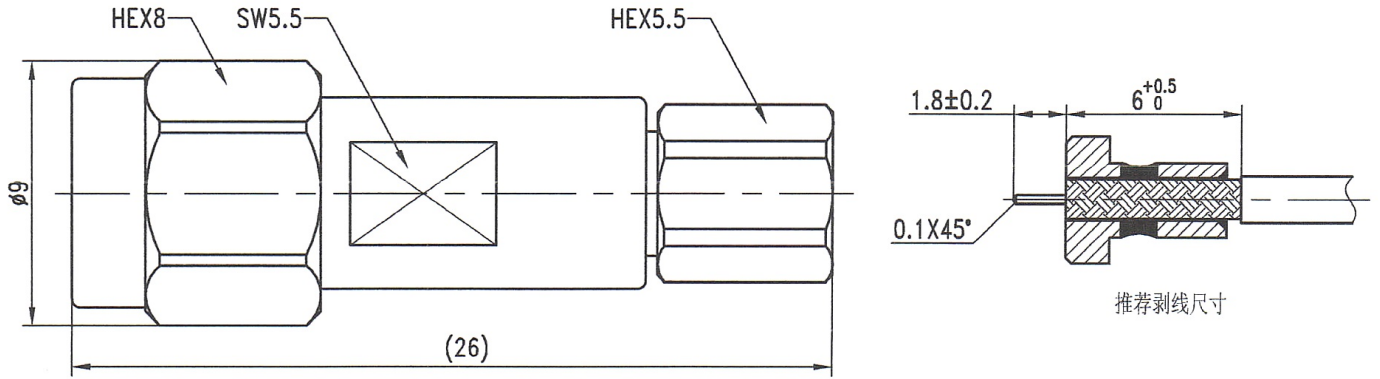


2.92mm Male Cable Connector, RC40KM-B047 DC-40GHz, Straight, Attachment for 047 Cable

Dimensions(mm) Tolerance $\pm 1\%$



Electrical & Environmental

Frequency Range	DC-40GHz	Impedance	50 ohm
VSWR	-	Withstand Voltage	500 V
Mating Cycles	> 500 Cycles	Temperature Range	-55°C ~ +165°C

Mechanical & Product Information

Product Number	RC40KM-B047, P-Grade	Connector	2.92mm(K,SK) Male
Shape/Mounting	Straight	Attachment Method	Solder
Attachment for	047 Series Cable		
Connector Body	Passivated stainless steel 316F	Insulator	PEI
Center Contact	Gold plated beryllium copper		
Dimension	26(L)mm	Net Weight	-