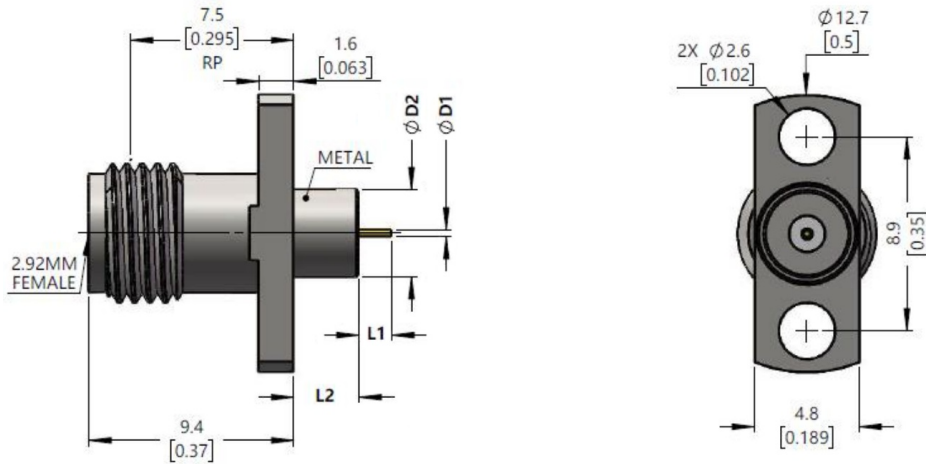


2.92mm Female Bulkhead Flange Connector, RC40KF-MF2D06-XX DC-40GHz, Straight, 2 hole flange, 8.9mm Hole Spacing

Dimensions(mm) Tolerance $\pm 1\%$



Product Selection

D1(mm)	L1(mm)	D2(mm)	L2(mm)	RFTOP P/N
0.20	1.50	4.00	3.00	RC40KF-MF2D06-0201
0.30	1.50	4.00	1.40	RC40KF-MF2D06-0301
0.30	1.50	4.00	3.00	RC40KF-MF2D06-0302
0.30	5.00	4.00	3.00	RC40KF-MF2D06-0303
0.30	1.50	4.00	3.20	RC40KF-MF2D06-0304
0.30	1.00	4.00	4.00	RC40KF-MF2D06-0305
0.30	0.50	4.00	10.10	RC40KF-MF2D06-0306
0.38	2.00	4.00	3.00	RC40KF-MF2D06-0381
0.60	1.27	4.00	4.00	RC40KF-MF2D06-0601
0.60	1.27	4.00	10.10	RC40KF-MF2D06-0602

Electrical & Environmental

Frequency Range	DC-40GHz	Impedance	50 ohm
VSWR	1.2 max	Withstand Voltage	750 V
Insulation Resistance	$\geq 5000 M\Omega$	Contact Resistance	\leq In:3.0/Out:2.0 m Ω
Mating Cycles	> 500 Cycles	Temperature Range	-55°C~+165°C

Mechanical & Product Information

Product Number	RC40KF-MF2D06-XX	Connector	2.92mm(K,SK) Female
Shape/Mounting	Straight , 2 hole flange	Attachment Method	Solder
Connector Body	Passivated stainless steel	Insulator	PEI or PEI&PTFE
Center Contact	Gold plated beryllium copper		