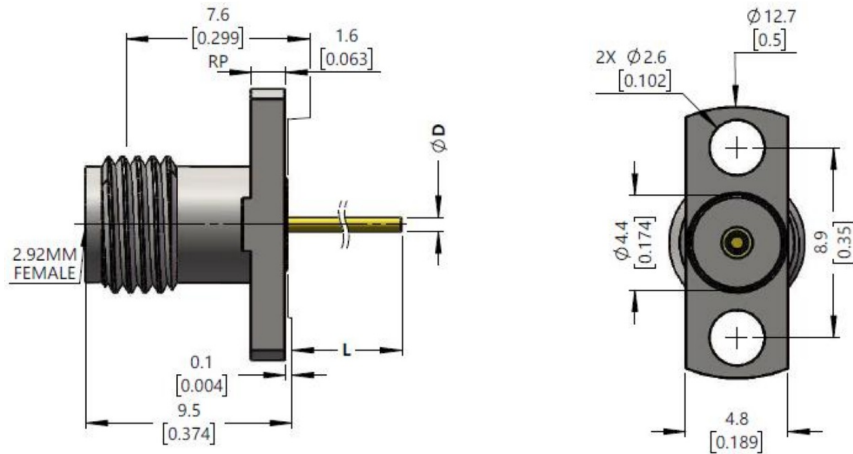


2.92mm Female Airline Bulkhead Connector, RC40KF-AF2D06-XX DC-40GHz, Straight, 2 hole flange, 8.9mm Hole Spacing

Dimensions(mm) Tolerance±1%



Product Selection

D(mm)	L(mm)	RFTOP P/N
0.23	0.50	RC40KF-AF2D06-02301
0.23	1.00	RC40KF-AF2D06-02302
0.30	0.30	RC40KF-AF2D06-0301
0.30	0.50	RC40KF-AF2D06-0302
0.30	1.50	RC40KF-AF2D06-0303
0.30	2.00	RC40KF-AF2D06-0304
0.30	7.00	RC40KF-AF2D06-0305
0.30	9.00	RC40KF-AF2D06-0306
0.30	12.00	RC40KF-AF2D06-0307
0.30	12.70	RC40KF-AF2D06-0308

Electrical & Environmental

Frequency Range	DC-40GHz	Impedance	50 ohm
VSWR	1.2 max	Withstand Voltage	750 V
Insulation Resistance	≥ 5000 MΩ	Contact Resistance	≤ In:3.0/Out:2.0 mΩ
Mating Cycles	> 500 Cycles	Temperature Range	-55°C~+165°C

Mechanical & Product Information

Product Number	RC40KF-AF2D06-XX	Connector	2.92mm(K,SK) Female
Shape/Mounting	Straight , 2 hole flange	Attachment Method	Solder
Connector Body	Passivated stainless steel	Insulator	PEI or PEI&PTFE
Center Contact	Gold plated beryllium copper		