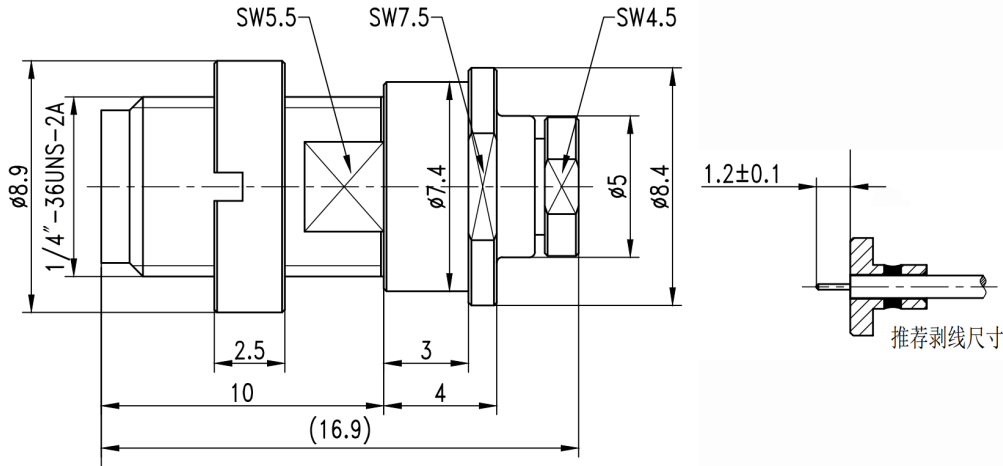


2.92mm Female Cable Connector, RC40FY-B034 DC-40GHz, Straight, Bulkhead, Attachment for .034、Series Cable

Dimensions(mm) Tolerance $\pm 1\%$



Electrical & Environmental

Frequency Range	DC-40GHz
Impedance	50 ohm
VSWR	1.3 max
Insulation Resistance	$\geq 5000 \text{ M}\Omega$
Withstand Voltage	500 V
Mating Cycles	> 500 Cycles
Temperature Range	-55°C ~ +165°C

Mechanical & Product Information

Product Number	RC40FY-B034, H-Grade
Product Type	2.92mm Female, Cable Connector
Shape/Mounting	Straight, Bulkhead
Attachment Method	Solder
Attachment for	.034、Series Cable
Connector Body	Passivated stainless steel 316F
Center Contact	Gold plated beryllium copper
Insulator	PEI
Dimension	16.9(L)mm