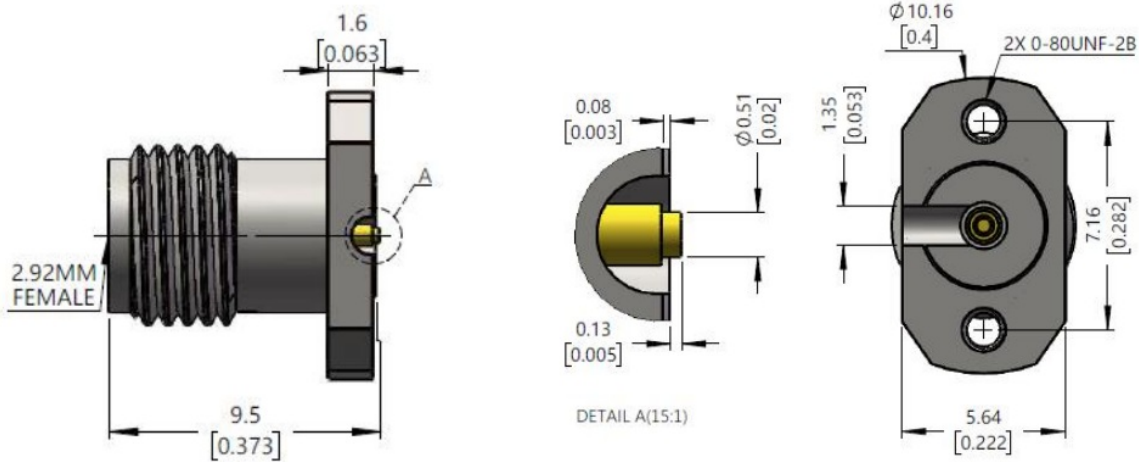


## 2.92mm Female PCB Connector, RC40FH-VLM051

DC-40GHz, Straight, 2 hole flange, 7.16mm Hole Spacing, 0.51mm Pin

### Dimensions(mm) Tolerance±1%



### Electrical & Environmental

<b>Frequency Range</b>	DC-40GHz	<b>Impedance</b>	50 ohm
<b>VSWR</b>	1.2 Max	<b>Withstand Voltage</b>	750 V
<b>Insulation Resistance</b>	$\geq 5000 \text{ M}\Omega$	<b>Contact Resistance</b>	$\leq \text{In:}3.0/\text{Out:}2.0 \text{ m}\Omega$
<b>Mating Cycles</b>	> 500 Cycles	<b>Temperature Range</b>	-55°C~+165°C

### Mechanical & Product Information

<b>Product Number</b>	RC40FH-VLM051, U-Grade	<b>Connector</b>	2.92mm(K,SK) Female
<b>Shape/Mounting</b>	Straight , 2 hole flange	<b>Attachment Method</b>	Clamp
<b>Connector Body</b>	Passivated stainless steel	<b>Insulator</b>	PTFE/AIR&ULTEM
<b>Center Contact</b>	Gold plated beryllium copper		
<b>Dimension</b>	9.5(L)mm	<b>Net Weight</b>	-