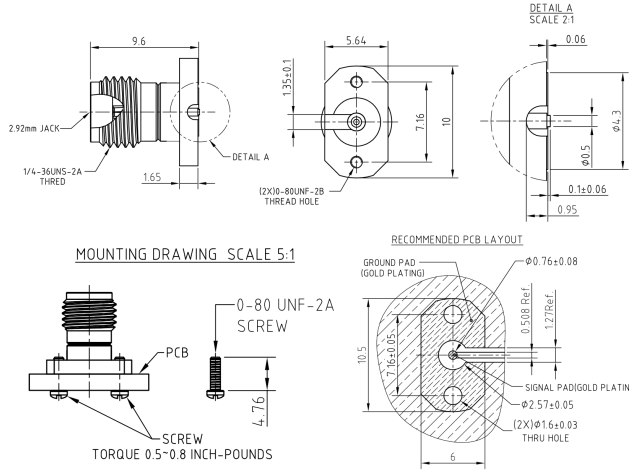




## 2.92mm Female PCB Connector, RC40F-VLM05 DC-40GHz, Straight, 2 hole flange, 7.16mm Hole Spacing, 0.5mm Pin

### Dimensions(mm) Tolerance±1%



### Electrical & Environmental

Frequency Range	DC-40GHz
Impedance	50 ohm
VSWR	1.35 max
Withstand Voltage	650 V
Temperature Range	-40°C ~ +105°C

### Mechanical & Product Information

Product Number	RC40F-VLM05
Product Type	2.92mm Female, PCB Connector
Shape/Mounting	Straight, 2 hole flange
Attachment Method	Clamp
Connector Body	Passivated stainless steel
Center Contact	Gold plated beryllium copper
Insulator	ULTEM
Dimension	9.6(L)mm
Net Weight	About 1.5g