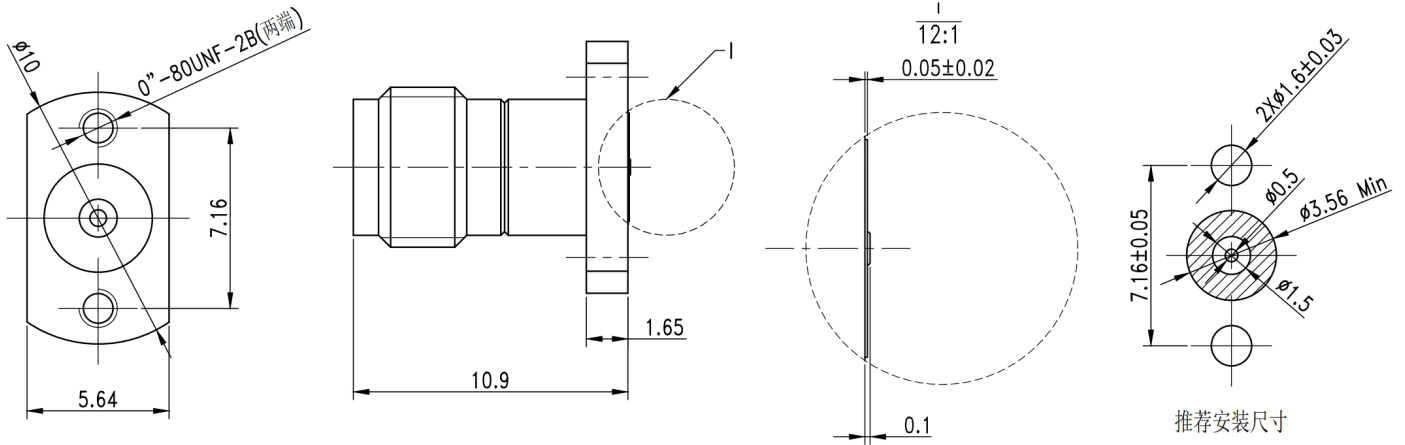


## 2.92mm Female Field Replaceable Connector, RC40F-UFD05 DC-40GHz, Straight, 2 hole flange, 7.16mm Hole Spacing, 0.5mm Pin

### Dimensions(mm) Tolerance $\pm 1\%$



### Electrical & Environmental

Frequency Range	DC-40GHz
Impedance	50 ohm
Contact Resistance	$\leq$ In:3.0/Out:2.0 m $\Omega$
Insulation Resistance	$\geq$ 5000 M $\Omega$
Withstand Voltage	500 V
Mating Cycles	> 500 Cycles
Temperature Range	-55 $^{\circ}$ C~+165 $^{\circ}$ C

### Mechanical & Product Information

Product Number	RC40F-UFD05, H-Grade
Product Type	2.92mm Female, Field Replaceable Connector
Shape/Mounting	Straight, 2 hole flange
Attachment Method	Field Replaceable
Connector Body	Passivated stainless steel 316F
Center Contact	Gold plated beryllium copper
Insulator	PEI
Dimension	10.9(L)mm