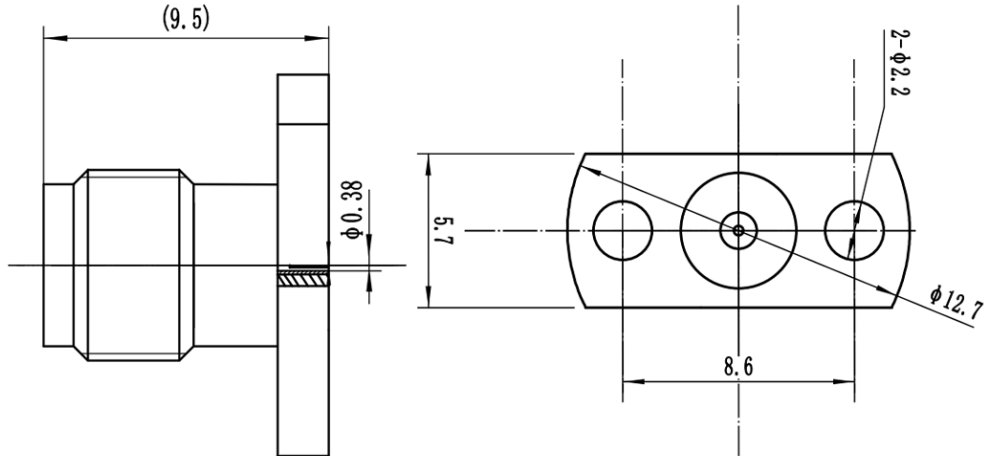


## 2.92mm Female Field Replaceable Connector, RC40F-UFD038 DC-40GHz, Straight, 2 hole flange, 8.6mm Hole Spacing, 0.38mm Pin

### Dimensions(mm) Tolerance $\pm 1\%$



### Electrical & Environmental

Frequency Range	DC-40GHz
Impedance	50 ohm
VSWR	1.2 max
Insulation Resistance	$\geq 5000$ M $\Omega$
Withstand Voltage	750 V
Mating Cycles	> 500 Cycles
Temperature Range	-55°C~+165°C

### Mechanical & Product Information

Product Number	RC40F-UFD038
Product Type	2.92mm Female, Field Replaceable Connector
Shape/Mounting	Straight, 2 hole flange
Attachment Method	Field Replaceable
Connector Body	Passivated stainless steel
Center Contact	Gold plated beryllium copper
Insulator	PEI
Dimension	9.5(L)mm