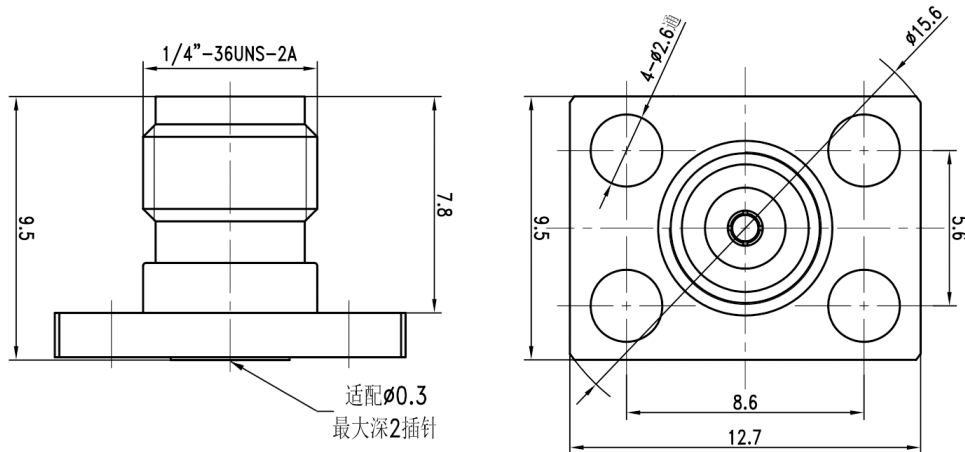


## 2.92mm Female Field Replaceable Connector, RC40F-UFD03-4 DC-40GHz, Straight, 4 hole flange, 8.6mm × 5.6mm Hole Spacing, 0.3mm Pin

### Dimensions(mm) Tolerance ± 1%



### Electrical & Environmental

Frequency Range	DC-40GHz
Impedance	50 ohm
Contact Resistance	≤ In:3.0/Out:2.0 mΩ
Insulation Resistance	≥ 5000 MΩ
Withstand Voltage	500 V
Mating Cycles	> 500 Cycles
Temperature Range	-55°C~+165°C

### Mechanical & Product Information

Product Number	RC40F-UFD03-4, H-Grade
Product Type	2.92mm Female, Field Replaceable Connector
Shape/Mounting	Straight, 4 hole flange
Attachment Method	Field Replaceable
Connector Body	Passivated stainless steel 316F
Center Contact	Gold plated beryllium copper
Insulator	PEI
Dimension	9.5(L)mm



Microwave and Millimeter wave products  
supplier

RFTOP® Technology Co., Ltd.  
[www.rftop.com](http://www.rftop.com) [service@rftop.com](mailto:service@rftop.com) 86-755-88840350