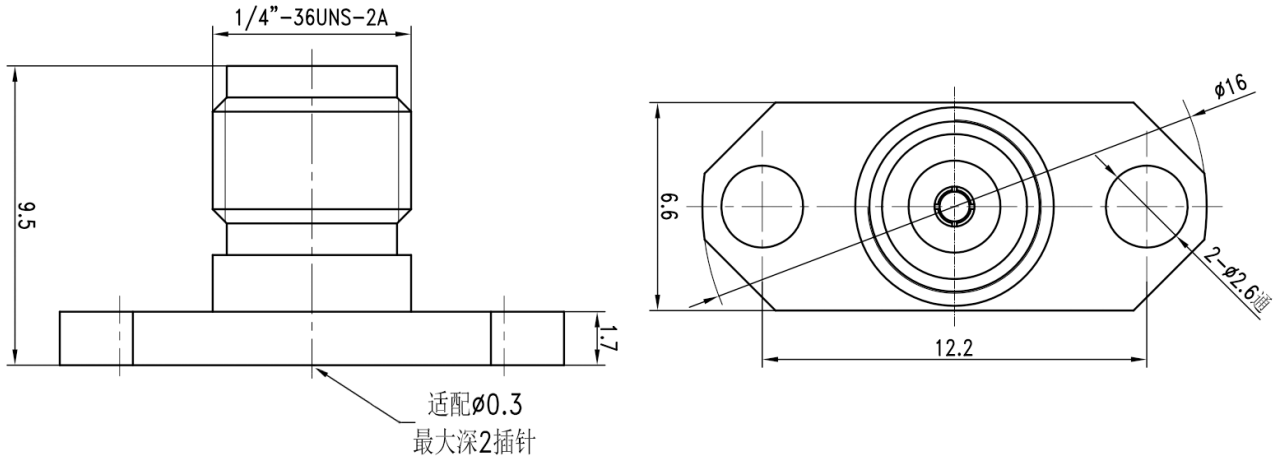


2.92mm Female Field Replaceable Connector, RC40F-UFD03-2 DC-40GHz, Straight, 2 hole flange, 12.2mm Hole Spacing, 0.3mm Pin

Dimensions(mm) Tolerance $\pm 1\%$



Electrical & Environmental

Frequency Range	DC-40GHz
Impedance	50 ohm
Contact Resistance	\leq In:3.0/Out:2.0 m Ω
Insulation Resistance	\geq 5000 M Ω
Withstand Voltage	500 V
Mating Cycles	> 500 Cycles
Temperature Range	-55 $^{\circ}\text{C}$ ~+165 $^{\circ}\text{C}$

Mechanical & Product Information

Product Number	RC40F-UFD03-2, H-Grade
Product Type	2.92mm Female, Field Replaceable Connector
Shape/Mounting	Straight, 2 hole flange
Attachment Method	Field Replaceable
Connector Body	Passivated stainless steel 316F
Center Contact	Gold plated beryllium copper
Insulator	PEI
Dimension	9.5(L)mm