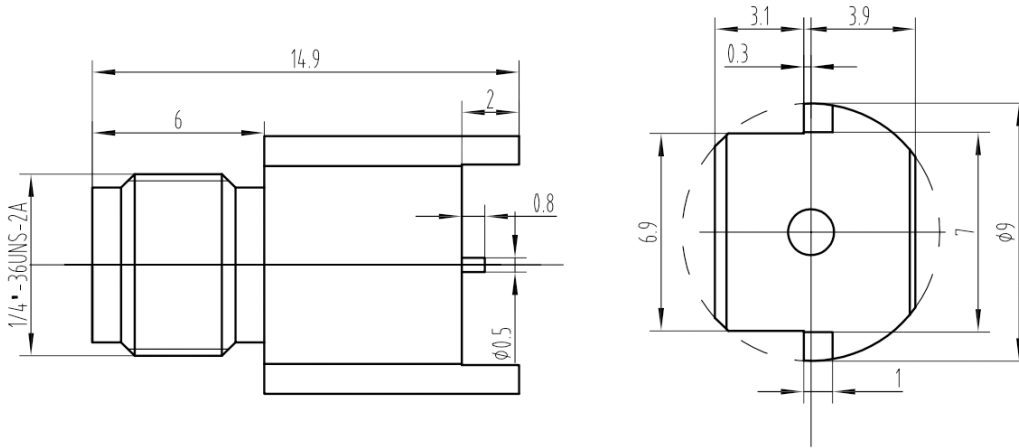


2.92mm Female PCB Connector, RC40F-SSM0508-GBA DC-40GHz, Straight, 0.5mm Pin

Dimensions(mm) Tolerance $\pm 1\%$



Electrical & Environmental

Frequency Range	DC-40GHz
Impedance	50 ohm
VSWR	1.25 max
Contact Resistance	\leq In:3.0/Out:2.0 m Ω
Insulation Resistance	\geq 5000 M Ω
Withstand Voltage	750 V
Mating Cycles	> 500 Cycles
Temperature Range	-55 $^{\circ}$ C~+165 $^{\circ}$ C

Mechanical & Product Information

Product Number	RC40F-SSM0508-GBA
Product Type	2.92mm Female, PCB Connector
Shape/Mounting	Straight
Attachment Method	Solder
Connector Body	Gold plated brass
Center Contact	Gold plated beryllium copper
Insulator	PEI
Dimension	14.9(L)*9(ϕ)mm