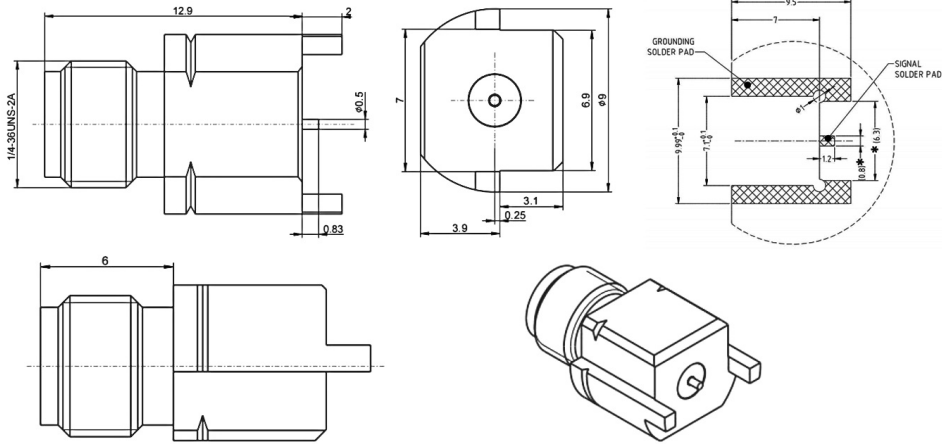




## 2.92mm Female PCB Connector, RC40F-SSM05-GBA DC-40GHz, Straight, 0.5mm Pin

### Dimensions(mm) Tolerance $\pm 1\%$



### Electrical & Environmental

<b>Frequency Range</b>	DC-40GHz
<b>Impedance</b>	50 ohm
<b>VSWR</b>	1.35 max
<b>Insulation Resistance</b>	$\geq 5000 \text{ M}\Omega$
<b>Withstand Voltage</b>	500 V
<b>Temperature Range</b>	-40°C~+155°C

### Mechanical & Product Information

<b>Product Number</b>	RC40F-SSM05-GBA
<b>Product Type</b>	2.92mm Female, PCB Connector
<b>Shape/Mounting</b>	Straight
<b>Attachment Method</b>	Solder
<b>Connector Body</b>	Gold plated brass
<b>Center Contact</b>	Gold plated beryllium copper
<b>Insulator</b>	PEEK
<b>Dimension</b>	14.9(L)mm
<b>Net Weight</b>	About 3.4g