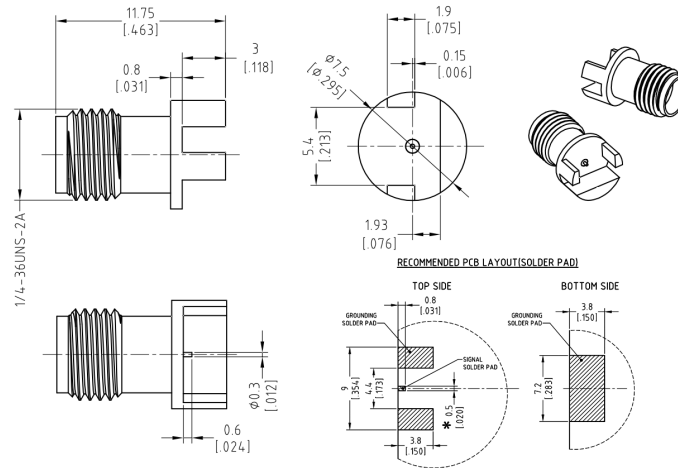




2.92mm Female PCB Connector, RC40F-SEL03-GBA DC-40GHz, Straight, 0.3mm Pin

Dimensions(mm) Tolerance±1%



Electrical & Environmental

Frequency Range	DC-40GHz
Impedance	50 ohm
VSWR	1.35 max
Insulation Resistance	$\geq 5000 \text{ M}\Omega$
Withstand Voltage	500 V
Temperature Range	-40°C~+155°C

Mechanical & Product Information

Product Number	RC40F-SEL03-GBA
Product Type	2.92mm Female, PCB Connector
Shape/Mounting	Straight
Attachment Method	Solder
Connector Body	Gold plated brass
Center Contact	Gold plated beryllium copper
Insulator	PTFE&PEEK
Dimension	11.75(L)mm
Net Weight	About 1.5g