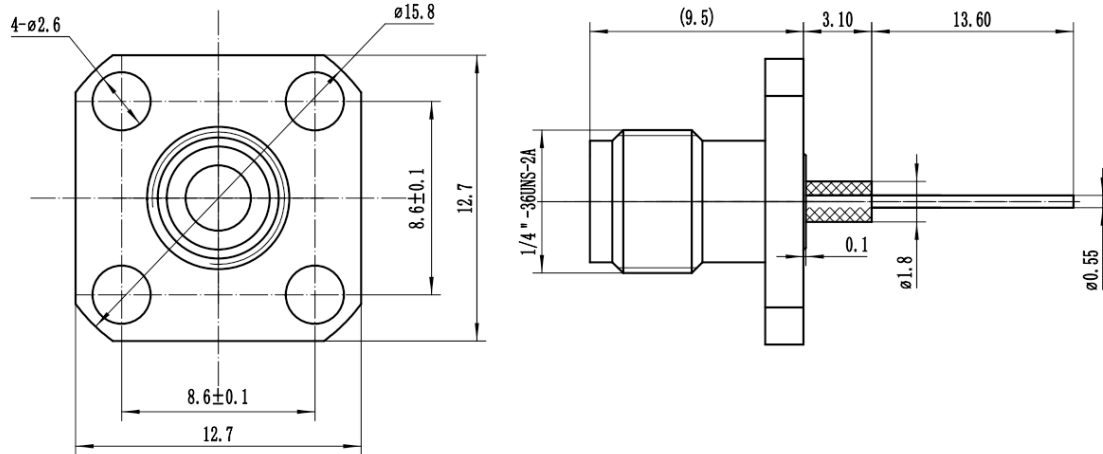


2.92mm Female Bulkhead Thread-in Connector, RC40F-PF4D055-GBA
DC-40GHz, Straight, 4 hole flange, 8.6mm Hole Spacing, 0.55mm Pin

Dimensions(mm) Tolerance±1%



Electrical & Environmental

Frequency Range	DC-40GHz
Impedance	50 ohm
VSWR	1.2 max
Contact Resistance	≤ In:3.0/Out:2.0 mΩ
Insulation Resistance	≥ 5000 MΩ
Withstand Voltage	750 V
Mating Cycles	> 500 Cycles
Temperature Range	-55°C~+125°C

Mechanical & Product Information

Product Number	RC40F-PF4D055-GBA
Product Type	2.92mm Female, Bulkhead Thread-in Connector
Shape/Mounting	Straight, 4 hole flange
Attachment Method	Solder
Connector Body	Gold plated brass
Center Contact	Gold plated beryllium copper
Insulator	PEI or PTFE
Dimension	26.2(L)mm