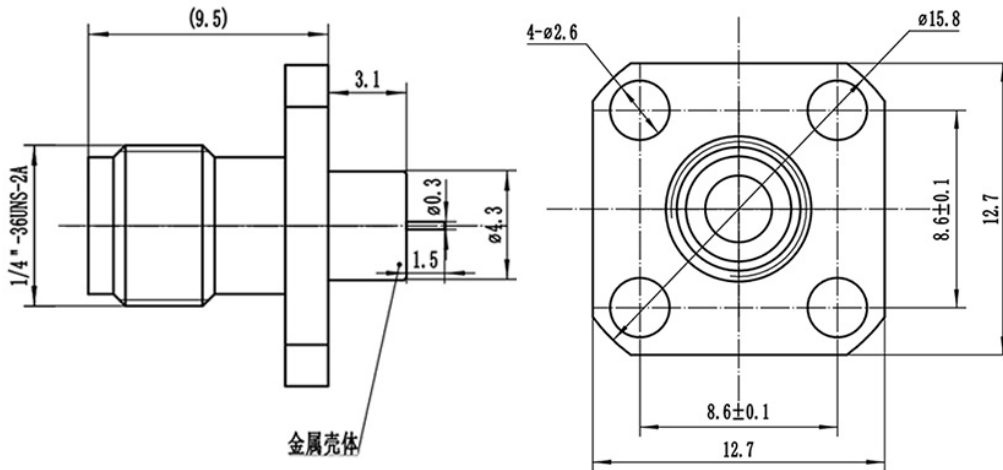


2.92mm Female Bulkhead Flange Connector, RC40F-MFD03 DC-40GHz, Straight, 4 hole flange, 8.6mm Hole Spacing, 0.3mm Pin

Dimensions(mm) Tolerance $\pm 1\%$



Electrical & Environmental

Frequency Range	DC-40GHz
Impedance	50 ohm
VSWR	1.2 max
Insulation Resistance	$\geq 5000 \text{ M}\Omega$
Withstand Voltage	750 V
Mating Cycles	> 500 Cycles
Temperature Range	-55°C~+165°C

Mechanical & Product Information

Product Number	RC40F-MFD03
Product Type	2.92mm Female, Bulkhead Flange Connector
Shape/Mounting	Straight, 4 hole flange
Attachment Method	Solder
Connector Body	Passivated stainless steel
Center Contact	Gold plated beryllium copper
Insulator	PEI
Dimension	14.1(L)mm