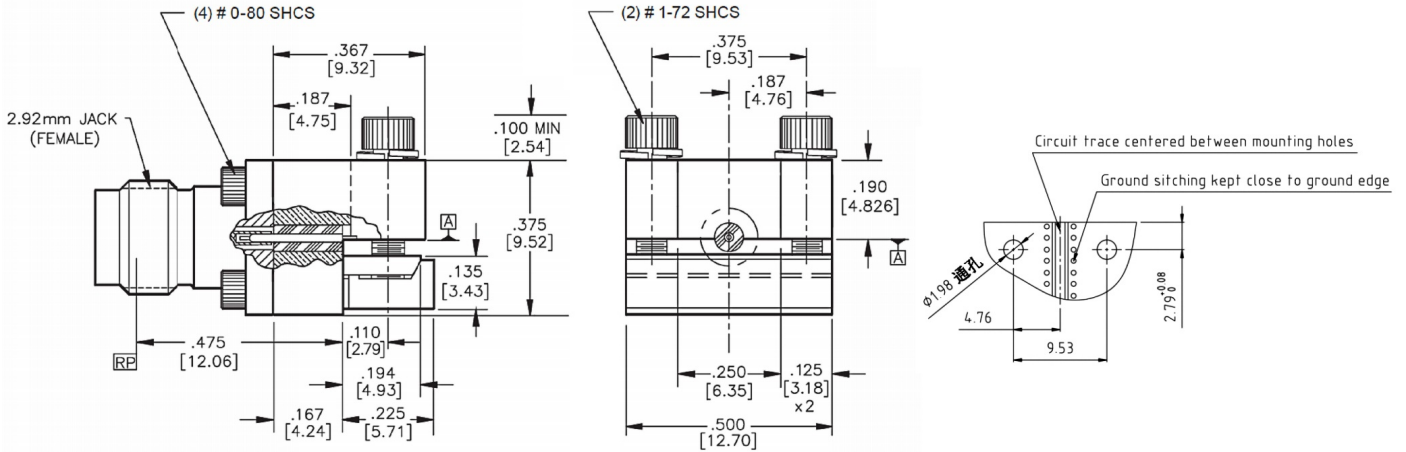




## 2.92mm Female PCB Connector, RC40F-EL018

### DC-40GHz, Straight, 2 hole flange, 9.5mm Hole Spacing, 0.18mm Pin

#### Dimensions(mm) Tolerance $\pm 1\%$



#### Electrical & Environmental

Frequency Range	DC-40GHz
Impedance	50 ohm
VSWR	1.3 max
Withstand Voltage	500 V
Temperature Range	-40°C ~ +155°C

#### Mechanical & Product Information

Product Number	RC40F-EL018
Product Type	2.92mm Female, PCB Connector
Shape/Mounting	Straight, 2 hole flange
Attachment Method	Clamp
Connector Body	Passivated stainless steel
Center Contact	Gold plated beryllium copper
Insulator	PTFE
Dimension	19.3(L)*12.7(W)*9.52(W)mm
Net Weight	About 9.6g