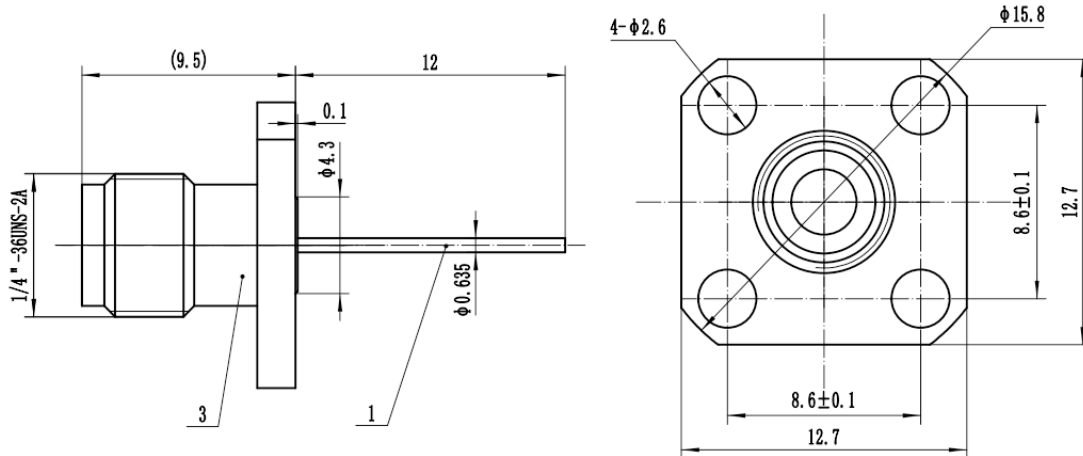




2.92mm Female Airline Bulkhead Connector, RC40F-AF4D0635 DC-40GHz, Straight, 4 hole flange, 8.6mm Hole Spacing, 0.635mm Pin

Dimensions(mm) Tolerance $\pm 1\%$



Electrical & Environmental

Frequency Range	DC-40GHz
Impedance	50 ohm
VSWR	1.2 max
Contact Resistance	\leq In:3.0/Out:2.0 m Ω
Insulation Resistance	\geq 5000 M Ω
Withstand Voltage	750 V
Mating Cycles	> 500 Cycles
Temperature Range	-55 $^{\circ}$ C~+125 $^{\circ}$ C

Mechanical & Product Information

Product Number	RC40F-AF4D0635
Product Type	2.92mm Female, Airline Bulkhead Connector
Shape/Mounting	Straight, 4 hole flange
Attachment Method	Solder
Connector Body	Passivated stainless steel
Center Contact	Gold plated beryllium copper
Insulator	PEI
Dimension	21.5(L)mm