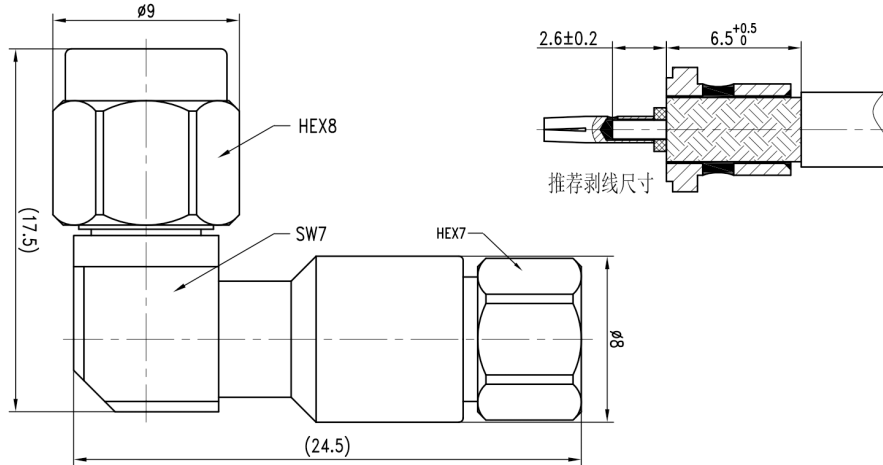


## SMA Male Cable Connector, RC27SMW-B360 DC-26.5GHz, Right Angle, Attachment for 3507Series Cable

### Dimensions(mm) Tolerance $\pm 1\%$



### Electrical & Environmental

Frequency Range	DC-26.5GHz
Impedance	50 ohm
VSWR	1.35 max
Insulation Resistance	$\geq 5000 \text{ M}\Omega$
Withstand Voltage	750 V
Mating Cycles	> 500 Cycles
Temperature Range	-55°C ~ +165°C

### Mechanical & Product Information

Product Number	RC27SMW-B360, H-Grade
Product Type	SMA Male, Cable Connector
Shape/Mounting	Right Angle
Attachment Method	Solder
Attachment for	3507 Series Cable
Connector Body	Passivated stainless steel 316F
Center Contact	Gold plated beryllium copper
Insulator	PEI
Dimension	24.5(L) $\times$ 17.5(W) $\times$ 9( $\phi$ )mm