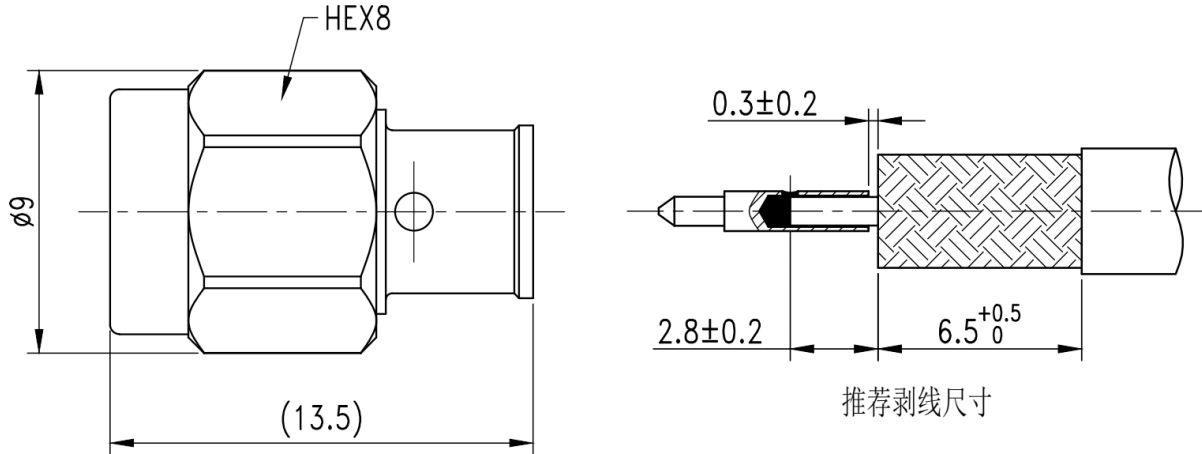


SMA Male Cable Connector, RC27SMB-BG142E DC-26.5GHz, Straight, Attachment for RG142 Cable

Dimensions(mm) Tolerance $\pm 1\%$



Electrical & Environmental

Frequency Range	DC-26.5GHz	Impedance	50 ohm
VSWR	-	Withstand Voltage	1000 V
Mating Cycles	> 500 Cycles	Temperature Range	-55°C ~ +165°C

Mechanical & Product Information

Product Number	RC27SMB-BG142E, P-Grade	Connector	SMA Male
Shape/Mounting	Straight	Attachment Method	Solder
Attachment for	RG142 Series Cable		
Connector Body	Gold plated brass	Insulator	PTFE
Center Contact	Gold plated brass		
Dimension	13.5(L)mm	Net Weight	-