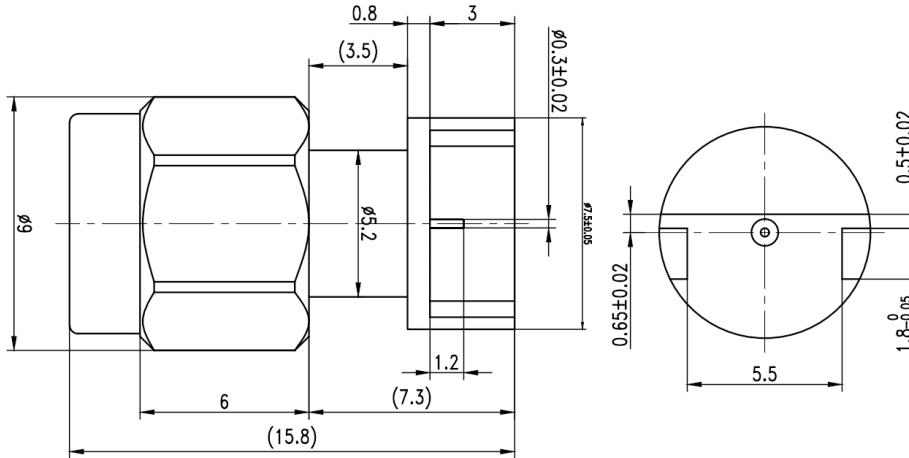


SMA Male PCB Connector, RC27SM-SEL03

DC-26.5GHz, Straight, 0.8mm Pin

Dimensions(mm) Tolerance $\pm 1\%$



Electrical & Environmental

Frequency Range	DC-26.5GHz
Impedance	50 ohm
Contact Resistance	\leq In:3.0/Out:2.0 m Ω
Insulation Resistance	\geq 5000 M Ω
Withstand Voltage	500 V
Mating Cycles	> 500 Cycles
Temperature Range	-55 $^{\circ}$ C~+165 $^{\circ}$ C

Mechanical & Product Information

Product Number	RC27SM-SEL03, H-Grade
Product Type	SMA Male, PCB Connector
Shape/Mounting	Straight
Attachment Method	Solder
Center Contact	Gold plated beryllium copper
Dimension	15.8(L)mm