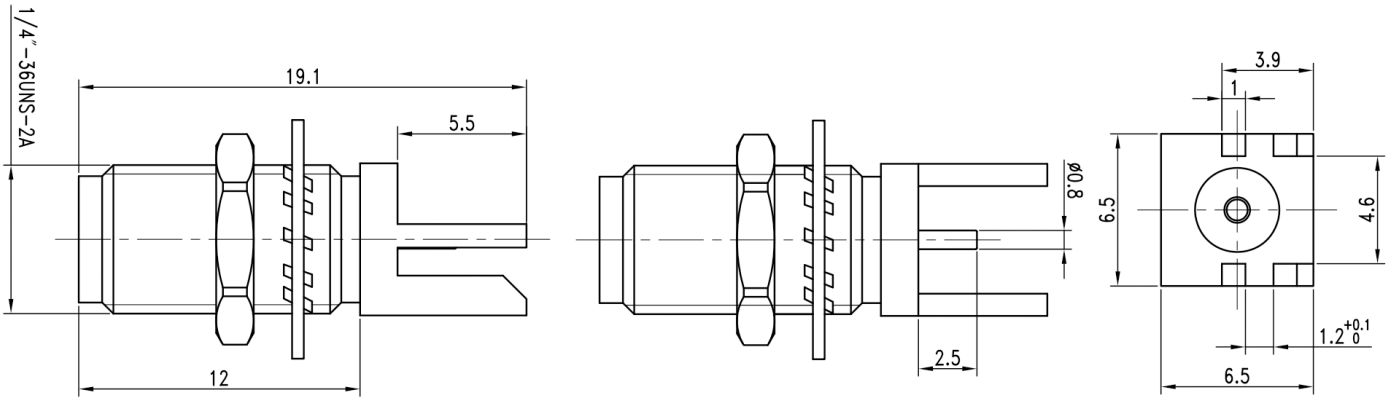


## SMA Female PCB Connector, RC27SFY-SEL08 DC-26.5GHz, Straight, Bulkhead, 0.8mm Pin

### Dimensions(mm) Tolerance $\pm 1\%$



### Electrical & Environmental

<b>Frequency Range</b>	DC-26.5GHz
<b>Impedance</b>	50 ohm
<b>Contact Resistance</b>	$\leq$ In:3.0/Out:2.0 m $\Omega$
<b>Insulation Resistance</b>	$\geq$ 5000 M $\Omega$
<b>Withstand Voltage</b>	1000 V
<b>Mating Cycles</b>	> 500 Cycles
<b>Temperature Range</b>	-55 $^{\circ}$ C~+165 $^{\circ}$ C

### Mechanical & Product Information

<b>Product Number</b>	RC27SFY-SEL08, H-Grade
<b>Product Type</b>	SMA Female, PCB Connector
<b>Shape/Mounting</b>	Straight, Bulkhead
<b>Attachment Method</b>	Solder
<b>Center Contact</b>	Gold plated beryllium copper
<b>Dimension</b>	13.5(L)mm