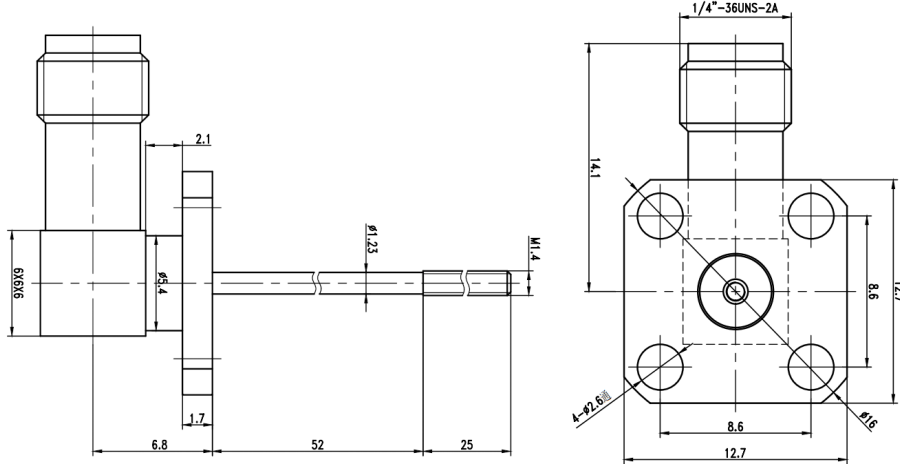


SMA Female Airline Bulkhead Connector, RC27SFW-AFD123

DC-26.5GHz, Right Angle, 4 hole flange, 8.6mm Hole Spacing, 1.23mm Pin

Dimensions(mm) Tolerance $\pm 1\%$



Electrical & Environmental

Frequency Range	DC-26.5GHz
Impedance	50 ohm
Contact Resistance	\leq In:3.0/Out:2.0 m Ω
Insulation Resistance	\geq 5000 M Ω
Withstand Voltage	1000 V
Mating Cycles	> 500 Cycles
Temperature Range	-55°C~+165°C

Mechanical & Product Information

Product Number	RC27SFW-AFD123, H-Grade
Product Type	SMA Female, Airline Bulkhead Connector
Shape/Mounting	Right Angle, 4 hole flange
Attachment Method	Solder
Center Contact	Gold plated beryllium copper
Dimension	86.8(L)mm



Microwave and Millimeter wave products
supplier

RFTOP® Technology Co., Ltd.
www.rftop.com service@rftop.com 86-755-88840350