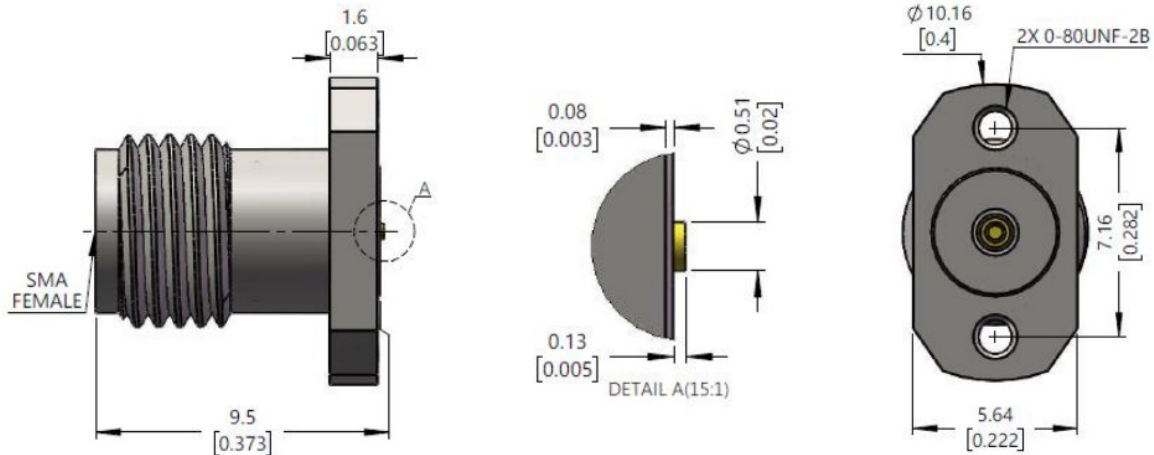


SMA Female PCB Connector, RC27SFH-VL051
DC-26.5GHz, Straight, 2 hole flange, 7.16mm Hole Spacing, 0.51mm Pin

Dimensions(mm) Tolerance±1%



Electrical & Environmental

| | | | |
|------------------------------|---------------------|---------------------------|----------------------------------|
| Frequency Range | DC-26.5GHz | Impedance | 50 ohm |
| VSWR | 1.2 Max | Withstand Voltage | 1000 V |
| Insulation Resistance | $\geq 5000 M\Omega$ | Contact Resistance | \leq In:3.0/Out:2.0 m Ω |
| Mating Cycles | > 500 Cycles | Temperature Range | -55°C~+165°C |

Mechanical & Product Information

| | | | |
|-----------------------|------------------------------|--------------------------|------------|
| Product Number | RC27SFH-VL051, U-Grade | Connector | SMA Female |
| Shape/Mounting | Straight , 2 hole flange | Attachment Method | Clamp |
| Connector Body | Passivated stainless steel | Insulator | PTFE&ULTEM |
| Center Contact | Gold plated beryllium copper | | |
| Dimension | 9.5(L)mm | Net Weight | - |