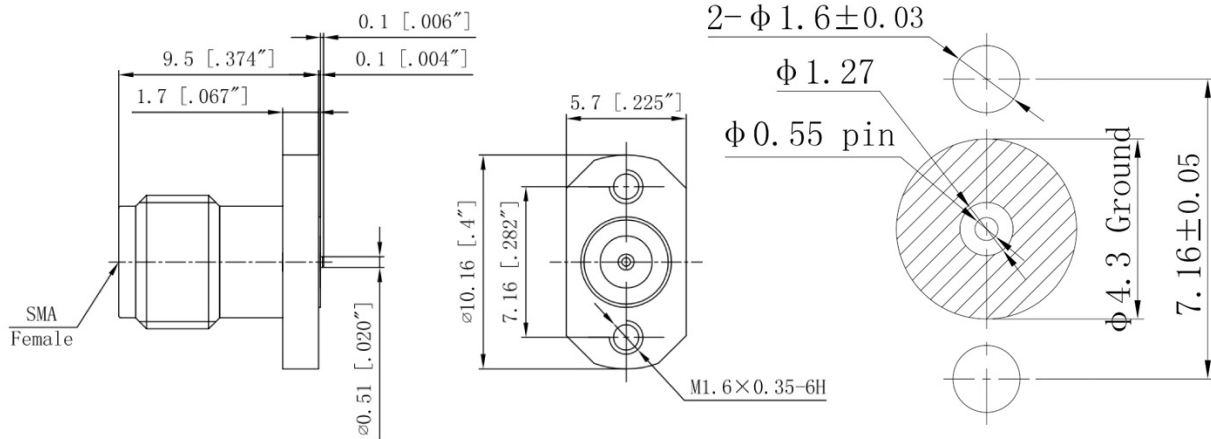




SMA Female PCB Connector, RC27SF-VL051

DC-26.5GHz, Straight, 2 hole flange, 7.16mm Hole Spacing, 0.51mm Pin

Dimensions(mm) Tolerance±1%



Electrical & Environmental

Frequency Range	DC-26.5GHz
Impedance	50 ohm
VSWR	1.2 max
Insulation Resistance	≥ 5000 M Ω
Withstand Voltage	1000 V
Temperature Range	-55°C ~ +165°C

Mechanical & Product Information

Product Number	RC27SF-VL051
Product Type	SMA Female, PCB Connector
Shape/Mounting	Straight, 2 hole flange
Attachment Method	Clamp
Connector Body	Passivated stainless steel
Center Contact	Gold plated beryllium copper
Insulator	PTFE
Dimension	9.6(L)mm
Net Weight	About 1.8g