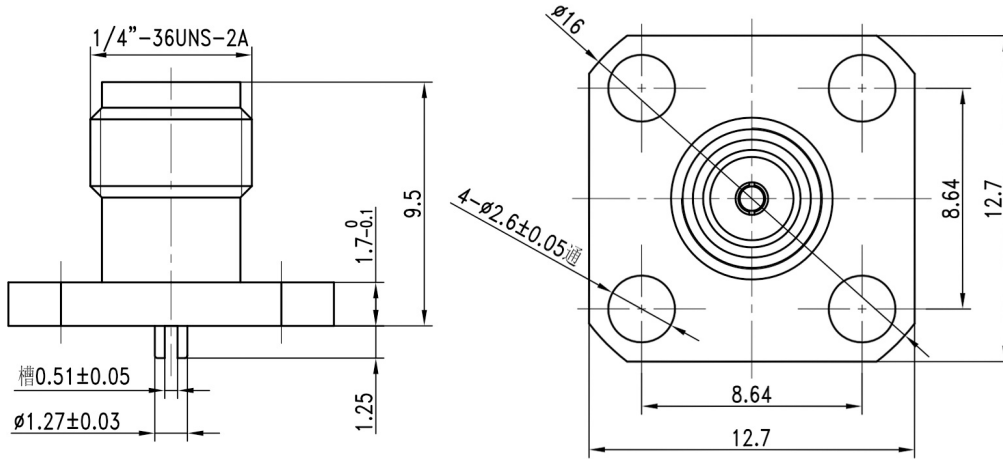


## SMA Female Field Replaceable Connector, RC27SF-UFD051

### DC-26.5GHz, Straight, 4 hole flange, 8.64mm Hole Spacing, 0.51mm Pin

#### Dimensions(mm) Tolerance±1%



#### Electrical & Environmental

<b>Frequency Range</b>	DC-26.5GHz
<b>Impedance</b>	50 ohm
<b>Contact Resistance</b>	≤ In:3.0/Out:2.0 mΩ
<b>Insulation Resistance</b>	≥ 5000 MΩ
<b>Withstand Voltage</b>	1000 V
<b>Mating Cycles</b>	> 500 Cycles
<b>Temperature Range</b>	-55°C~+165°C

#### Mechanical & Product Information

<b>Product Number</b>	RC27SF-UFD051, H-Grade
<b>Product Type</b>	SMA Female, Field Replaceable Connector
<b>Shape/Mounting</b>	Straight, 4 hole flange
<b>Attachment Method</b>	Field Replaceable
<b>Center Contact</b>	Gold plated beryllium copper
<b>Dimension</b>	9.5(L)mm