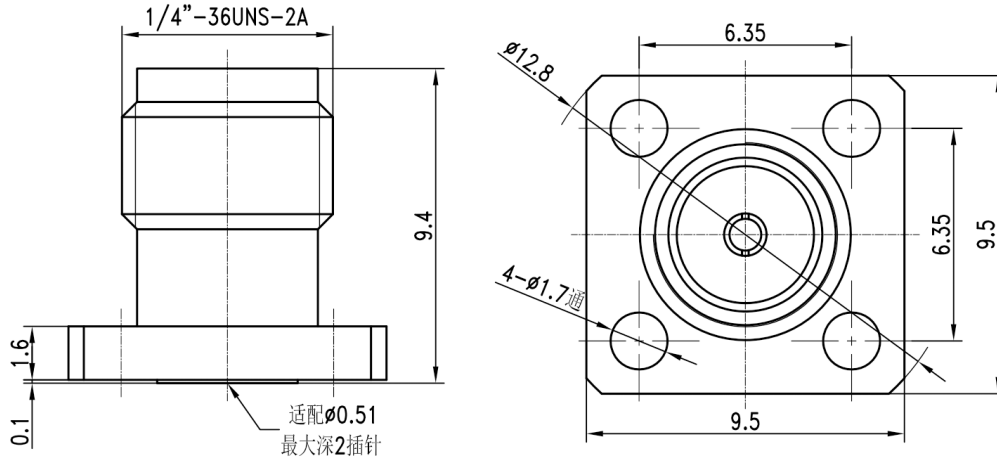


SMA Female Field Replaceable Connector, RC27SF-UFD051-2 DC-26.5GHz, Straight, 4 hole flange, 6.35mm Hole Spacing, 0.51mm Pin

Dimensions(mm) Tolerance $\pm 1\%$



Electrical & Environmental

Frequency Range	DC-26.5GHz
Impedance	50 ohm
Contact Resistance	\leq In:3.0/Out:2.0 m Ω
Insulation Resistance	\geq 3000 M Ω
Withstand Voltage	750 V
Mating Cycles	> 500 Cycles
Temperature Range	-55 $^{\circ}$ C~+165 $^{\circ}$ C

Mechanical & Product Information

Product Number	RC27SF-UFD051-2, H-Grade
Product Type	SMA Female, Field Replaceable Connector
Shape/Mounting	Straight, 4 hole flange
Attachment Method	Field Replaceable
Connector Body	Passivated stainless steel 316F
Center Contact	Gold plated beryllium copper
Insulator	PEI
Dimension	9.4(L)mm