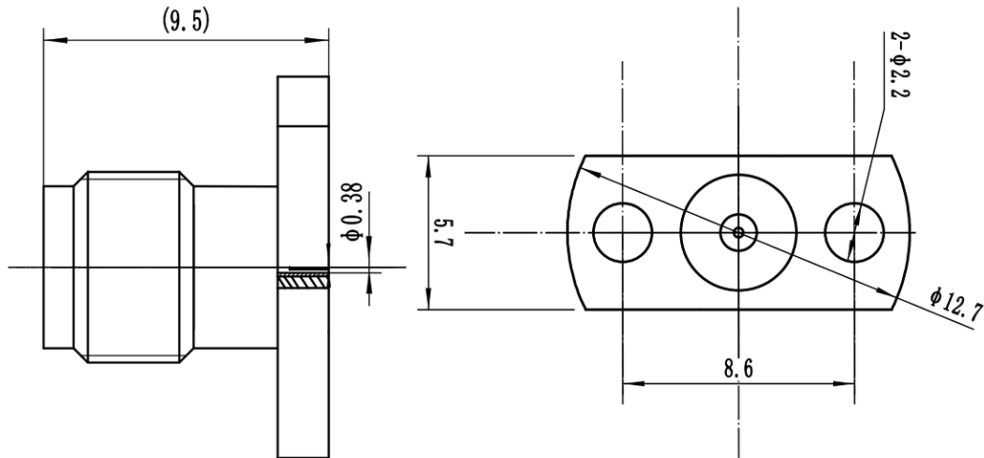


## SMA Female Field Replaceable Connector, RC27SF-UFD038

### DC-26.5GHz, Straight, 2 hole flange, 8.6mm Hole Spacing, 0.3mm Pin

#### Dimensions(mm) Tolerance $\pm 1\%$



#### Electrical & Environmental

Frequency Range	DC-26.5GHz
Impedance	50 ohm
VSWR	1.2 max
Insulation Resistance	$\geq 5000 \text{ M}\Omega$
Withstand Voltage	750 V
Mating Cycles	> 500 Cycles
Temperature Range	-55°C~+165°C

#### Mechanical & Product Information

Product Number	RC27SF-UFD038
Product Type	SMA Female, Field Replaceable Connector
Shape/Mounting	Straight, 2 hole flange
Attachment Method	Field Replaceable
Connector Body	Passivated stainless steel
Center Contact	Gold plated beryllium copper
Dimension	9.5(L)mm