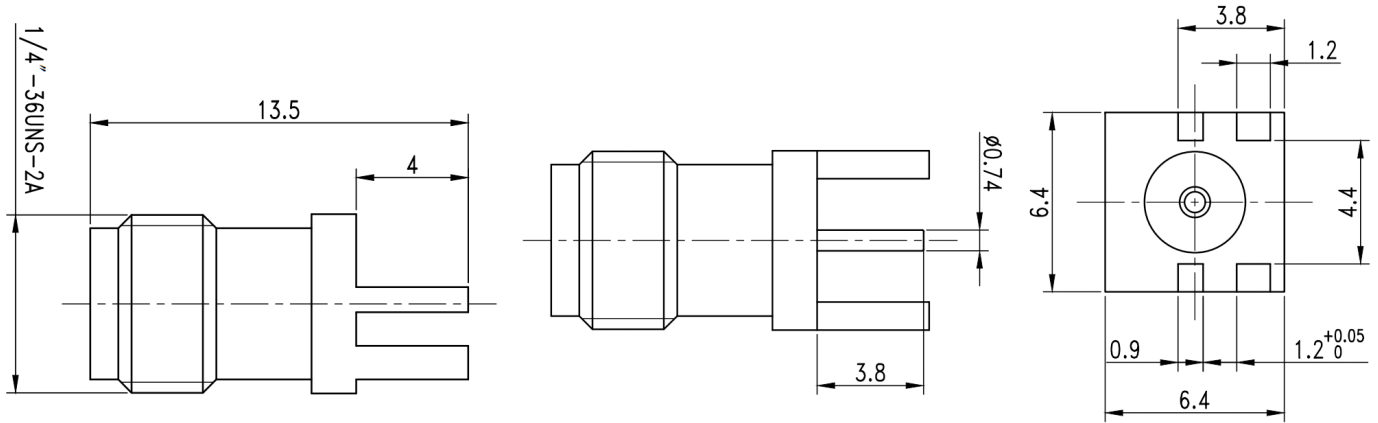


## SMA Female PCB Connector, RC27SF-SEL074 DC-26.5GHz, Straight, 0.74mm Pin

### Dimensions(mm) Tolerance $\pm 1\%$



### Electrical & Environmental

Frequency Range	DC-26.5GHz
Impedance	50 ohm
Contact Resistance	$\leq$ In:3.0/Out:2.0 m $\Omega$
Insulation Resistance	$\geq$ 5000 M $\Omega$
Withstand Voltage	1000 V
Mating Cycles	> 500 Cycles
Temperature Range	-55 $^{\circ}$ C~+165 $^{\circ}$ C

### Mechanical & Product Information

Product Number	RC27SF-SEL074, H-Grade
Product Type	SMA Female, PCB Connector
Shape/Mounting	Straight
Attachment Method	Solder
Center Contact	Gold plated beryllium copper
Dimension	13.5(L)mm