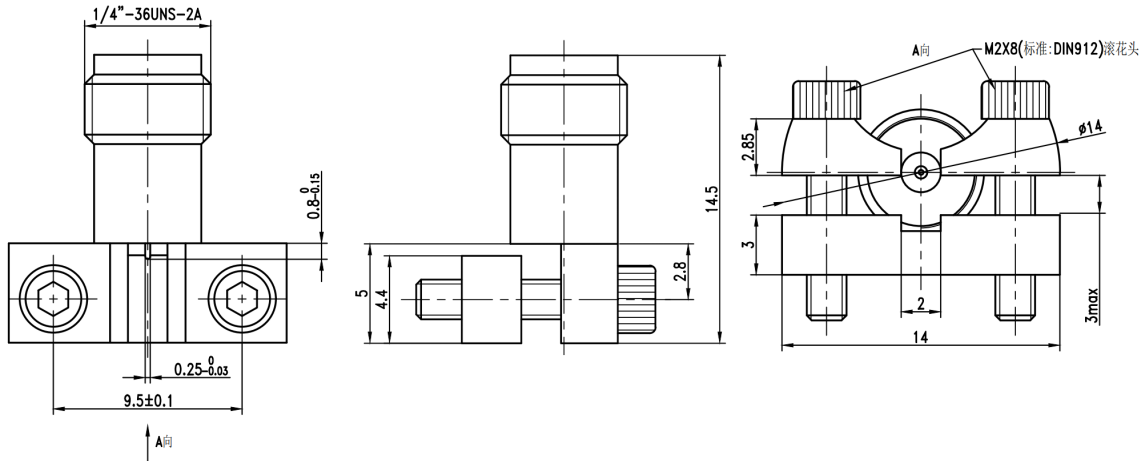


SMA Female PCB Connector, RC27SF-EL025-GBA-2 DC-26.5GHz, Straight, 2 hole flange, 9.5mm Hole Spacing, 0.25mm Pin

Dimensions(mm) Tolerance $\pm 1\%$



Electrical & Environmental

Frequency Range	DC-26.5GHz
Impedance	50 ohm
Contact Resistance	\leq In:3.0/Out:2.0 m Ω
Insulation Resistance	\geq 5000 M Ω
Withstand Voltage	500 V
Mating Cycles	> 500 Cycles
Temperature Range	-55 $^{\circ}$ C~+165 $^{\circ}$ C

Mechanical & Product Information

Product Number	RC27SF-EL025-GBA-2, H-Grade
Product Type	SMA Female, PCB Connector
Shape/Mounting	Straight, 2 hole flange
Attachment Method	Clamp
Connector Body	Gold plated brass
Center Contact	Gold plated beryllium copper
Dimension	14.5(L)*14(W)mm