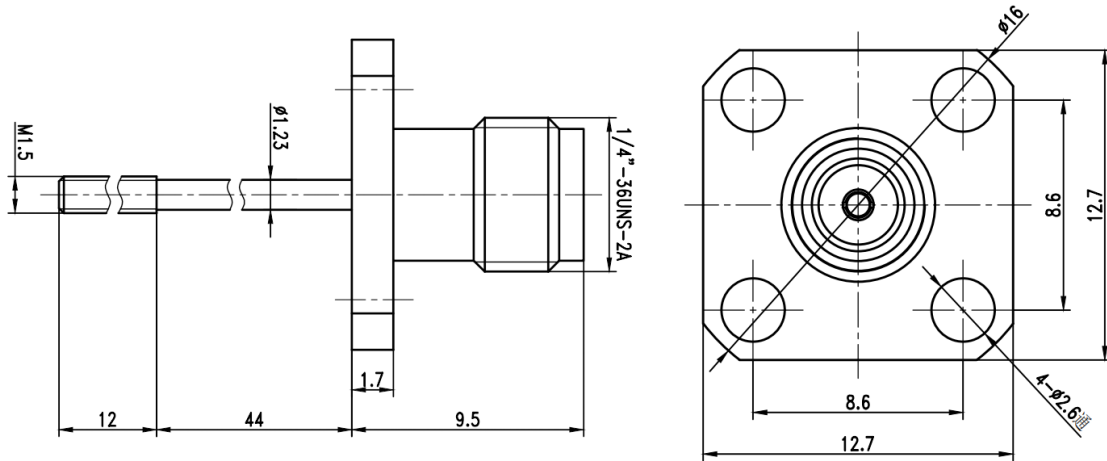


SMA Female Airline Bulkhead Connector, RC27SF-AFD15

DC-26.5GHz, Straight, 4 hole flange, 8.6mm Hole Spacing, 1.5mm Pin

Dimensions(mm) Tolerance $\pm 1\%$



Electrical & Environmental

Frequency Range	DC-26.5GHz
Impedance	50 ohm
Contact Resistance	\leq In:3.0/Out:2.0 m Ω
Insulation Resistance	\geq 5000 M Ω
Withstand Voltage	1000 V
Mating Cycles	> 500 Cycles
Temperature Range	-55 $^{\circ}$ C~+165 $^{\circ}$ C

Mechanical & Product Information

Product Number	RC27SF-AFD15, H-Grade
Product Type	SMA Female, Airline Bulkhead Connector
Shape/Mounting	Straight, 4 hole flange
Attachment Method	Solder
Center Contact	Gold plated beryllium copper
Dimension	65.5(L)mm