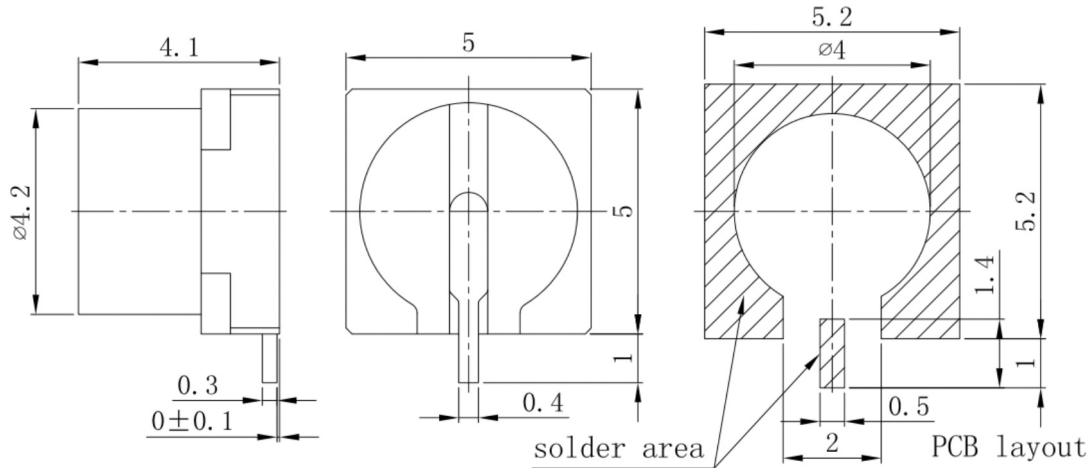


SMP(GPO) Male Smooth Bore PCB Connector, RC27PMS-SSM04-GBA DC-26.5GHz, Straight, 0.4mm Pin

Dimensions(mm) Tolerance $\pm 1\%$



Electrical & Environmental

Frequency Range	DC-26.5GHz
Impedance	50 ohm
VSWR	1.25 max
Withstand Voltage	500 V
Mating Cycles	> 500 Cycles
Temperature Range	-55°C~+155°C

Mechanical & Product Information

Product Number	RC27PMS-SSM04-GBA
Product Type	SMP(GPO) Male Smooth Bore, PCB Connector
Shape/Mounting	Straight
Attachment Method	Solder
Connector Body	Gold plated brass
Center Contact	Gold plated beryllium copper
Insulator	LCP/PEEK
Dimension	4.1(L)mm