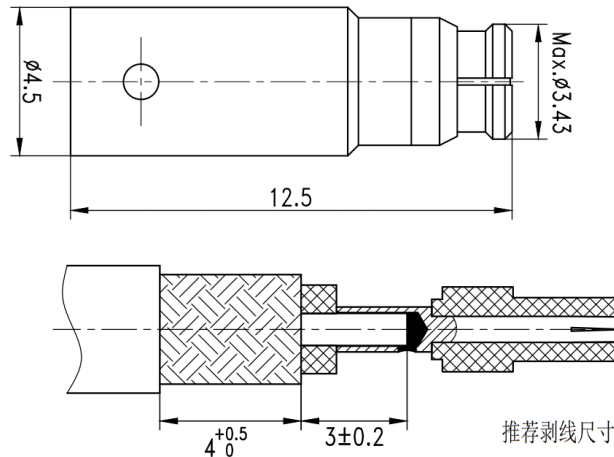


SMP Female Cable Connector, RC27PFB-B141

DC-26.5GHz, Straight, Attachment for RG402, 141 (ø4.1 mm) Cable

Dimensions(mm) Tolerance±1%



Electrical & Environmental

Frequency Range	DC-26.5GHz	Impedance	50 ohm
VSWR	1.4 Max	Withstand Voltage	500 V
Mating Cycles	> 500 Cycles	Temperature Range	-55°C ~ +165°C

Mechanical & Product Information

Product Number	RC27PFB-B141, P-Grade	Connector	SMP(GPO) Female
Shape/Mounting	Straight	Attachment Method	Solder
Attachment for	RG402, 141 (ø4.1 mm) Series Cable		
Connector Body	Gold plated brass	Insulator	PTFE
Center Contact	Gold plated beryllium copper		
Dimension	12.5(L)mm	Net Weight	-