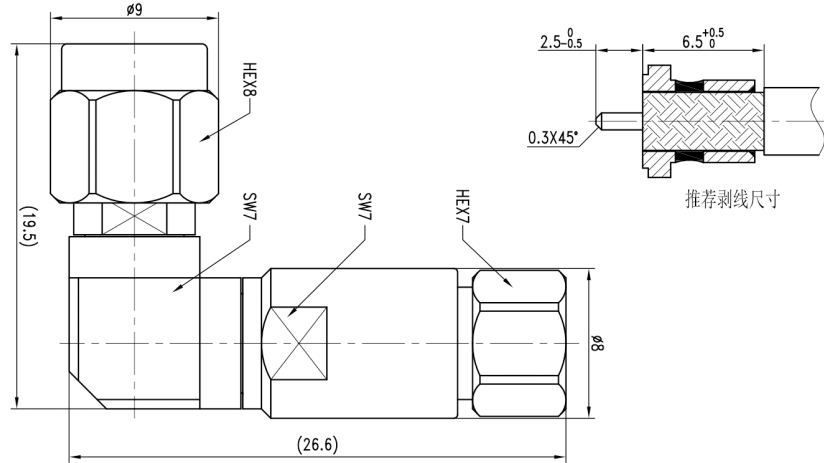




3.5mm Male Cable Connector, RC27MW-B360 DC-26.5GHz, Right Angle, Attachment for 3507Series Cable

Dimensions(mm) Tolerance $\pm 1\%$



Electrical & Environmental

Frequency Range	DC-26.5GHz
Impedance	50 ohm
VSWR	1.3 max
Insulation Resistance	$\geq 5000 \text{ M}\Omega$
Withstand Voltage	1000 V
Mating Cycles	> 500 Cycles
Temperature Range	-55°C ~ +165°C

Mechanical & Product Information

Product Number	RC27MW-B360, H-Grade
Product Type	3.5mm Male, Cable Connector
Shape/Mounting	Right Angle
Attachment Method	Solder
Attachment for	3507 Series Cable
Connector Body	Passivated stainless steel 316F
Center Contact	Gold plated beryllium copper
Insulator	PEI
Dimension	26.6(L)×19.5(W)×9(φ)mm
Net Weight	About 10.2g