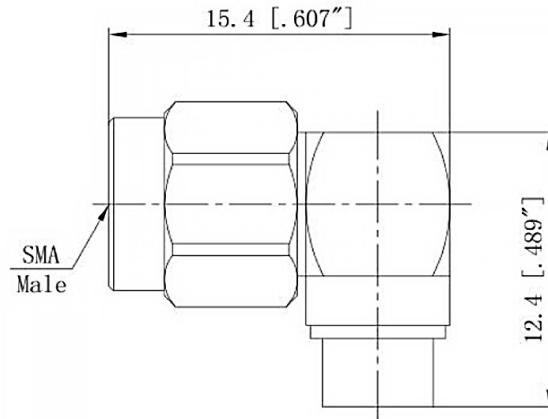




## SMA Male Cable Connector, RC18SMW-B3 DC-18GHz, Right Angle

### Dimensions(mm) Tolerance $\pm 1\%$



### Electrical & Environmental

<b>Frequency Range</b>	DC-18GHz
<b>Impedance</b>	50 ohm
<b>VSWR</b>	1.35 max
<b>Insulation Resistance</b>	$\geq 5000 \text{ M}\Omega$
<b>Withstand Voltage</b>	1000 V
<b>Mating Cycles</b>	> 500 Cycles
<b>Temperature Range</b>	-55°C ~ +165°C

### Mechanical & Product Information

<b>Product Number</b>	RC18SMW-B3
<b>Product Type</b>	SMA Male, Cable Connector
<b>Shape/Mounting</b>	Right Angle
<b>Attachment Method</b>	Solder
<b>Attachment for</b>	-
<b>Connector Body</b>	Passivated stainless steel/Gold plated brass
<b>Center Contact</b>	Gold plated beryllium copper
<b>Insulator</b>	PTFE
<b>Dimension</b>	15.4(L)*12.4(W)mm