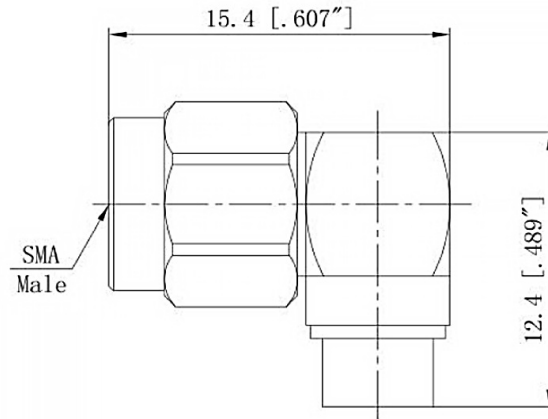


## SMA Male Cable Connector, RC18SMW-B3-GBA DC-18GHz, Right Angle

Dimensions(mm) Tolerance $\pm$ 1%



### Electrical & Environmental

Frequency Range	DC-18GHz
Impedance	50 ohm
VSWR	1.35 max
Insulation Resistance	$\geq$ 5000 M $\Omega$
Withstand Voltage	1000 V
Mating Cycles	> 500 Cycles
Temperature Range	-55°C ~ +165°C

### Mechanical & Product Information

Product Number	RC18SMW-B3-GBA
Product Type	SMA Male, Cable Connector
Shape/Mounting	Right Angle
Attachment Method	Solder
Attachment for	-
Connector Body	Gold plated brass
Center Contact	Gold plated beryllium copper
Insulator	PTFE
Dimension	15.4(L)*12.4(W)mm